

# Test plug PS-USB-A-004-F9,6

Item 21071

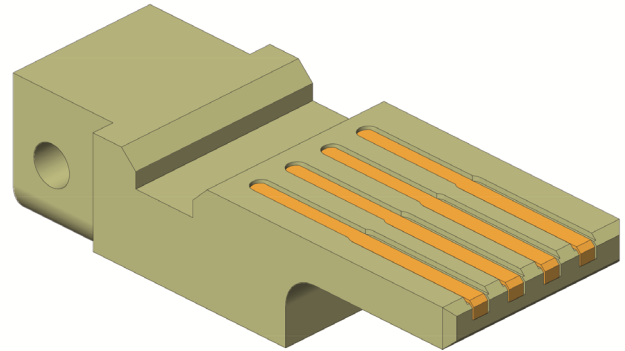


**ingun**<sup>®</sup>

Partner for Future Technology

- Precise, low-wear contacting of USB plug connectors
- Outstanding service life
- Signal transmission via solder connection
- Optional: Installation via floating mount
- Compatible test plug mount 18198 - PSA-F9,6

**INGUN SELECTION**



## General data

Product group:	PS test plug
Series:	PS
Sub-series:	PS-USB
Grid:	14.5 mm [570 mil]
DUT / contact:	USB3.0A
DUT interface gender :	F signal conductor female / socket
KS sub-series:	PSA-F9,6
Width:	12 mm [.472 in]
Height:	8.4 mm [.33 in]
Min. temperature:	-80 °C [-112 °F]
Max. temperature:	150 °C [302 °F]
RoHS-compliant:	Yes

## Inner conductor data

Number of inner conductor poles: 4

## Mechanical data

Total length: 32 mm [1.25 in]

Test plug

**PS-USB-A-004-F9,6**

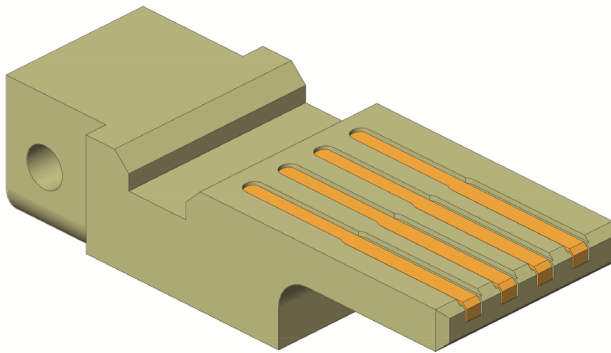
Item 21071



GO TO PRODUCT

**ingun**<sup>®</sup>

Partner for Future Technology



**INGUN Prüfmittelbau GmbH**

Max-Stromeyer-Straße 162  
78467, Constance, Germany  
Phone +49 7531 8105-0  
Customer hotline +49 7531 8105-888  
Fax +49 7531 8105-65  
info@ingun.com



Prices and delivery times on request.  
Technical changes reserved. 05/26\_GB

Learn more about  
**Test probes**

