

# Test plug

## PS-RJ45-M-008-B-F11,6-S

Item 41164

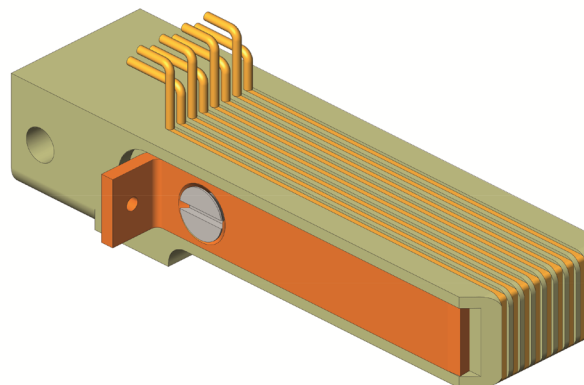


GO TO PRODUCT

**ingun**<sup>®</sup>

Partner for Future Technology

- Precise, low-wear contacting of RJ plug connectors
- With shielding detection
- Outstanding service life: up to 250,000 cycles under optimal conditions.
- Signal transmission via solder connection
- Optional: Installation via floating mount
- Compatible test plug mount 18199 PSA - F11,6



### General data

Product group:	PS test plug
Series:	PS
Sub-series:	PS-RJ
Grid:	14.5 mm [570 mil]
DUT / contact:	RJ-45
DUT interface gender :	F signal conductor female / socket
KS sub-series:	PSA-F11,6
Width:	11.6 mm [.456 in]
Height:	13.3 mm [.523 in]
Min. temperature:	-80 °C [-112 °F]
Max. temperature:	150 °C [302 °F]
RoHS-compliant:	Yes

### Inner conductor data

Inner conductor max. current load capacity:	1 A
Number of inner conductor poles:	8

### Electrical data

Impedance:	100 Ohm
------------	---------

### Mechanical data

Total length:	42 mm [1.65 in]
---------------	-----------------

Test plug

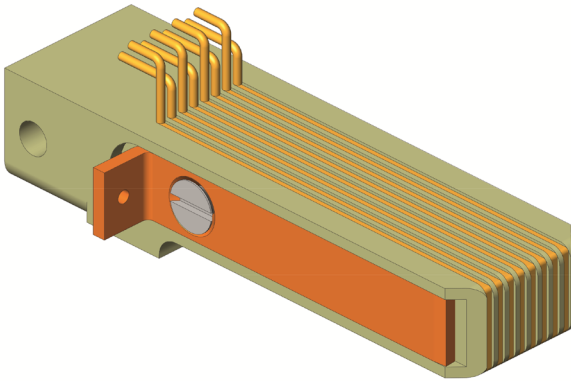
**PS-RJ45-M-008-B-F11,6-S**

Item 41164



**ingun**<sup>®</sup>

Partner for Future Technology



**INGUN Prüfmittelbau GmbH**

Max-Stromeyer-Straße 162  
78467, Constance, Germany  
Phone +49 7531 8105-0  
Customer hotline +49 7531 8105-888  
Fax +49 7531 8105-65  
info@ingun.com



Prices and delivery times on request.  
Technical changes reserved. 05/26\_GB

Learn more about  
**Test probes**

