

Battery contacting probe

BCP-696 360 2200 A 150004-54

Item BCP-696-0002

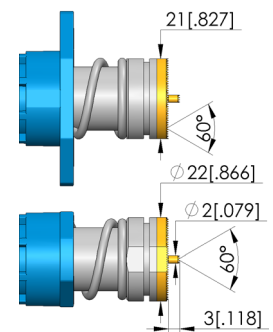
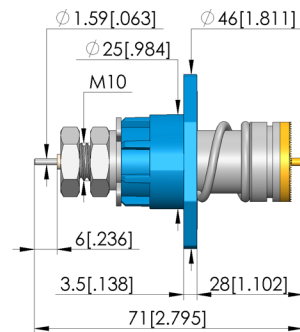
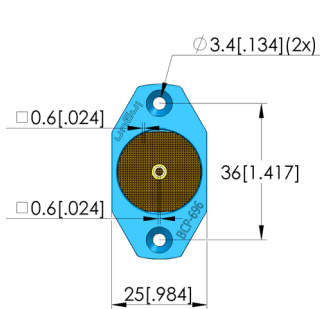
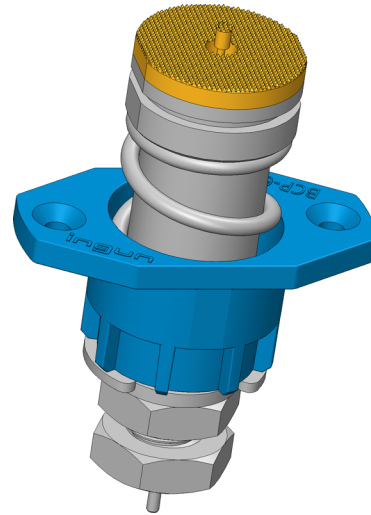


GO TO PRODUCT

ingun[®]

Partner for Future Technology

- Contacting solution for cylindrical cells (46xx) and prismatic as well blade cells, Battery Modules and -Packs
- Current rating upto 200 A on Al DUT with temperaturer rise $dT \leq 20$ K ; max. current rating of 450 A on high conducting materials like copper alloys
- Designed for a range of cell contacting applications such as Formation, Charging and DC-IR measurement
- Continuous plunger system with minimal internal resistance R_i typical < 0.5 m Ω
- Simple flange mounting with flexible cable connection
- Dipole Design provided with measuring contact for precise voltage measurements
- Easy connection of the voltage sensor: both soldering and cable lug installation possible



General data

Product group:	Dipole BCP / 4-wire clamp
Sub-product group:	Dipole BCP / 4-wire clamp
Series:	BCP-696
Application rec.:	
Grid:	26 mm [1,023 mil]
DUT / contact:	
Magnetic:	Yes
Installation type:	Flange
Quick-exchange system:	No
Type of test probe connection:	Thread connection
Adjustable installation height:	No
Non-rotating:	Yes
Min. temperature:	-40 °C [-40 °F]
Max. temperature:	80 °C [176 °F]
RoHS-compliant:	Yes

Electrical data

Current load capacity / rated current:	450 A
Rated current on copper @ $\Delta T \leq 20$ K:	300 A
Rated current on copper @ $\Delta T \leq 60$ K:	450 A
Rated current on aluminium @ $\Delta T \leq 20$ K:	200 A
Rated current on aluminium @ $\Delta T \leq 60$ K:	400 A
Typical resistance (R _i):	.2 mOhm

Mechanical data

Total length:	71 mm [2.79 in]
Barrel diameter:	25 mm [.984 in]
Maximum stroke:	10 mm [.393 in]
Spring pre-load:	99.52 N [357 ozf]
Collar height:	04
Spring force at working stroke:	150 N [539 ozf]
Recommended working stroke:	5 mm [.196 in]

Tip style data

Tip style:	60 serrated, small grid
Tip diameter:	22 mm [.866 in]
Tip style surface:	A gold
Tip style material:	3 CuBe

Battery contacting probe

BCP-696 360 2200 A 150004-54

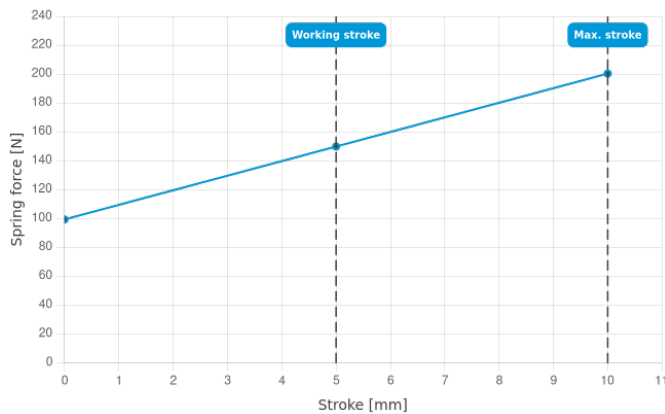
Item BCP-696-0002



GO TO PRODUCT

ingun[®]

Partner for Future Technology



Cable plug assemblies

Part no. EN	Designation	Tip version EN
SE-AWG20-0002	SE-AWG20-2-BU01660-100	cable assembly
SE-AWG08-0001	SE-AWG08-6-AN0001-130-AN0002-5	cable assembly

INGUN Prüfmittelbau GmbH

Max-Stromeyer-Straße 162
78467, Constance, Germany
Phone +49 7531 8105-0
Customer hotline +49 7531 8105-888
Fax +49 7531 8105-65
info@ingun.com



Prices and delivery times on request.
Technical changes reserved. 06/26_GB

Learn more about
Test probes

