

Foldable metal handle FB-MGK-MAxxxx

Item 47715

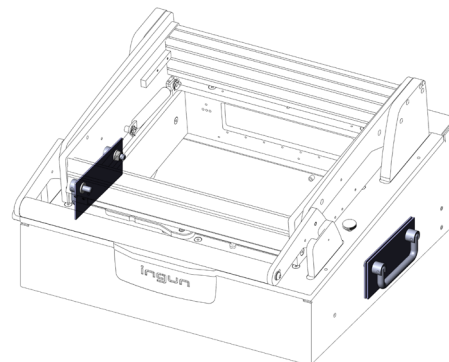


GO TO PRODUCT

ingun®

Partner for Future Technology

- Folding metal handle to replace recessed grip handles.
- Recommended for heavy test fixtures
- Permissible load capacity of 50kg per handle with lock in extended position



General data

Product group:

Series:

Type:

Version:

Accessory type:

Scope of delivery:

Material:

Width:

Height:

RoHS-compliant:

Functional units

FB-MAxxxx

Set

Metal handle, hinged

Additional function

2 x metal handle

Steel, chrome-plated

138 mm [5.43 in]

17 mm [.669 in]

Yes

Compatible with

Exchangeable kits version:

Manual test fixtures (MA):

No limitations

MA xxxx

Technical data

Length:

58 mm [2.28 in]

Outer dimensionS (WxDxH):

138 x 58 x 17 mm [5.43 x 2.28 x .669 in]

INGUN Prüfmittelbau GmbH

Max-Stromeyer-Straße 162

78467, Constance, Germany

Phone +49 7531 8105-0

Customer hotline +49 7531 8105-888

Fax +49 7531 8105-65

info@ingun.com



Prices and delivery times on request.
Technical changes reserved. 05/26_GB

Learn more about
MA functional units



FUNCTIONAL UNIT

ingun.com