

Exchangeable kit

ATS MA12/S-7/CRS

Item 108812



ingun®

Partner for Future Technology

- Reliable ICT/FCT tests in the fully automated inline test system and in the manual test fixture
- Replacement kit for CRS test system SMART-Inline, IPS 19-2 and manual test fixture MA 2112, MA 3212
- Modularly configurable signal transmission with internal interfaces
- Quick, tool-free set-up, can be used without readjustment
- Pressure plate unit and probe plate unit can be screwed together with stacking screws to form a unit with protected probe field
- Designed for tooling pins with head length = 16 mm (FS-X,XX-RD-16-02)

Application

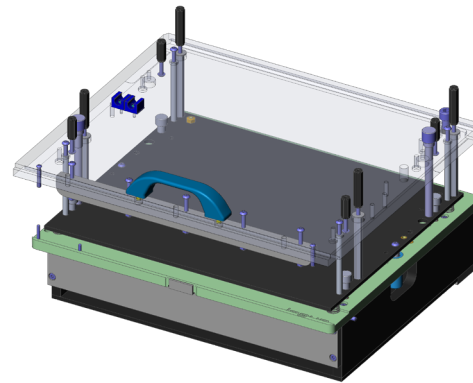
The exchangeable kit ATS MAxx/S-x/CRS is designed for operation in the manual test fixture MA xxxx and in the inline test system SMART-Inline and IPS 19-2 from CRS Prüftechnik.

With just one exchangeable kit, both individual and series tests in the manual test fixture and mass tests in the inline test system can be reliably performed in order to be able to react ideally to the varying life cycles of a PCB. An additional investment in a separate inline test set is not necessary.

The exchangeable kit can be easily switched between offline and inline workstations. It is designed for single-stage and dual-stage contacting from the bottom side and single-stage contacting from the top side.

Special features

- 15 mm thick, ESD-compliant pressure frame plate (NHP) made of PVC
- 10 mm thick, deflection-resistant probe plate (KTP) made of FR4
- 4 mm thick, ESD-compliant precision-guided moving plate (ADP) made of FR3
- 4 mm thick, ESD-compliant wiring protection plate (VSP) made of FR3
- 10 mm thick, deflection-resistant, unpopulated internal interface made of aluminium for individually configurable test-side (SB-P) interface blocks
- 10 mm thick, deflection-resistant reinforcement bar for pressure plate (NHP) made of steel
- 10 mm thick, deflection-resistant reinforcement bar for probe plate (KTP) made of aluminium
- 4 protruding push rods
- Stacking screws, for screwing the pressure frame (NDH) and the probe plate unit (KTE) into one unit with protected probe field.



Delivery

The fixture includes an unpopulated internal interface and must be assembled upon delivery. This enables immediate DUT-specific machining.

Note:

Customising guidelines INFO 4365 should be used for the professional customisation of exchangeable kits. Customising guidelines INFO 1317 should be also be referred to.

Note:

The exchangeable kit must be customised after the zero point of the inline test system. The position of the PCB is defined using this zero point. If this not the case, it is not possible to easily switch between offline and inline workstations.

Note:

Information on inline test systems is available from the test system manufacturer CRS Prüftechnik.

Exchangeable kit ATS MA12/S-7/CRS

Item 108812



GO TO PRODUCT

ingun[®]

Partner for Future Technology

General data

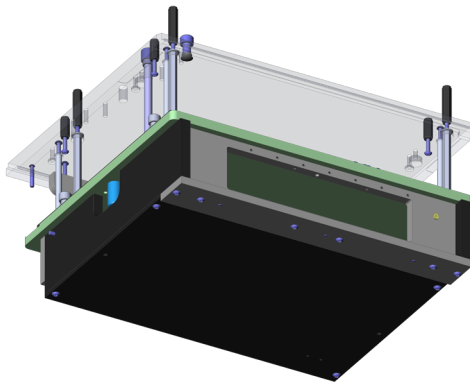
Product group:	ATS manual test fixture (MA)
Subseries:	ATS MAxx
Series:	ATS MA12
Version:	With interface, CRS
Scope of delivery:	Unassembled
For tandem fixtures:	No
Max. interface signals:	1190
Interface blocks required:	Device under test (DUT) side
Max. internal interface blocks:	7
Internal interface:	Available
Dual-stage contacting:	Yes, with compatible additional option
Double-sided contact:	Yes, with compatible additional option
Weight:	5.7 kg [12.5 lbs]
Min. temperature:	10 °C [50 °F]
Max. temperature:	60 °C [140 °F]
RoHS-compliant:	Yes

Compatible with

Manual test fixtures (MA):	MA x112
Test systems:	CRS SMART-Inline

Technical data

Pushrod length:	60 mm [2.36 in]
Test probe installation height, top:	16 mm [.629 in]
Test probe installation height, bottom:	10.5 mm [.413 in]
Test probe installation height, dual-stage, bottom:	16 mm [.629 in]
Free space above PCB:	58 mm [2.28 in]
Useable area (WxD):	285 x 240 mm [11.2 x 9.44 in]
Outer dimensionS (WxDxH):	336 x 293 x 213 mm [13.2 x 11.5 x 8.38 in]



INGUN Prüfmittelbau GmbH

Max-Stromeyer-Straße 162
78467, Constance, Germany
Phone +49 7531 8105-0
Customer hotline +49 7531 8105-888
Fax +49 7531 8105-65
info@ingun.com



Prices and delivery times on request.
Technical changes reserved. 06/26_GB

Learn more about
MA exchangeable kits



EXCHANGEABLE KITS

ingun.com