

Exchangeable kit

ATS MA14/S-10/ESD

Item 46242-KIT



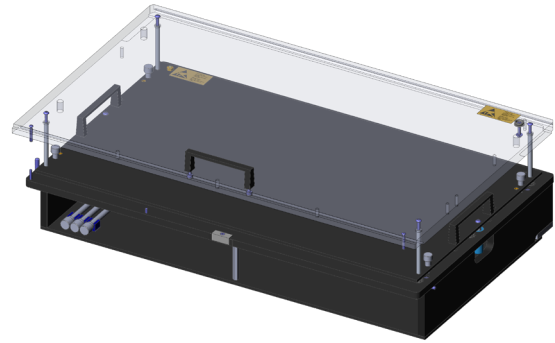
GO TO PRODUCT

ingun[®]

Partner for Future Technology

- Quick, tool-free set-up, can be used without readjustment
- Available in standard, ESD, and RF versions, with or without internal interface
- Modularly configurable signal transmission with internal interfaces
- Pressure plate unit and probe plate unit can be screwed together with stacking screws to form a unit with protected probe field
- Robust, durable design
- Can be customised using functional units for individual configurations
- Detailed accompanying documents (e.g., customising guidelines)

INGUN SELECTION



Note:

For configurations with more than 300 test probes or a force greater than 500 N, the use of reinforcement bars (FB-VSL-KIT-...) is recommended.

General data

Product group:	ATS manual test fixture (MA)
Subseries:	ATS MAxx
Series:	ATS MA14
Version:	ESD with interface
Scope of delivery:	Unassembled
For tandem fixtures:	No
Max. interface signals:	1700
Interface blocks required:	Device under test (DUT) side
Max. internal interface blocks:	10
Internal interface:	Available
Dual-stage contacting:	Yes, with compatible additional option
Double-sided contact:	Yes, with compatible additional option
Weight:	12 kg [26.4 lbs]
Min. temperature:	10 °C [50 °F]
Max. temperature:	60 °C [140 °F]
Low voltage:	Yes, with suitable additional option
RoHS-compliant:	Yes

Compatible with

Manual test fixtures (MA):	MA x114
----------------------------	---------

Technical data

Pushrod length:	60 mm [2.36 in]
Test probe installation height, top:	16 mm [.629 in]
Test probe installation height, bottom:	10.5 mm [.413 in]
Test probe installation height, dual-stage, bottom:	16 mm [.629 in]
Free space above PCB:	58 mm [2.28 in]
Useable area (WxD):	540 x 310 mm [21.2 x 12.2 in]
Outer dimensionS (WxDxH):	606 x 383 x 207 mm [23.8 x 15 x 8.14 in]

EXCHANGEABLE KITS

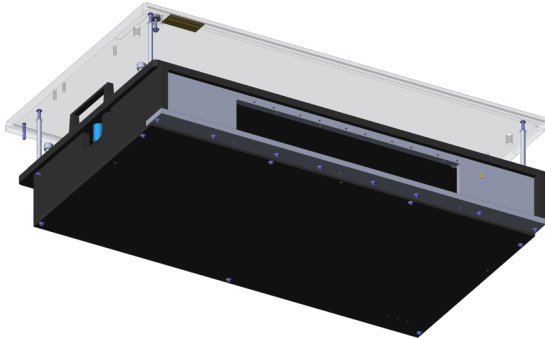
Exchangeable kit ATS MA14/S-10/ESD

Item 46242-KIT



ingun[®]

Partner for Future Technology



INGUN Prüfmittelbau GmbH

Max-Stromeyer-Straße 162
78467, Constance, Germany
Phone +49 7531 8105-0
Customer hotline +49 7531 8105-888
Fax +49 7531 8105-65
info@ingun.com



Prices and delivery times on request.
Technical changes reserved. 06/26_GB

Learn more about
MA exchangeable kits



ingun.com