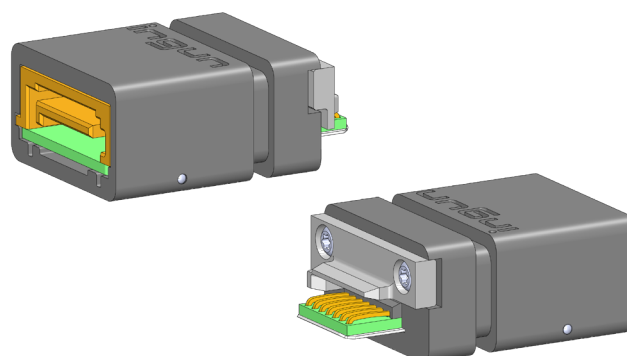




GO TO PRODUCT

- Signal transmission via original connector plug
- Outstanding service life
- Reliable data transmission



General data

Product group:	PS test plug
Series:	PS
Sub-series:	PS-SATA
Grid:	20 mm [787 mil]
DUT / contact:	SATA socket
DUT interface gender :	F signal conductor female / socket
Width:	19.6 mm [.771 in]
Height:	11.4 mm [.448 in]
Min. temperature:	-20 °C [-4 °F]
Max. temperature:	75 °C [167 °F]
RoHS-compliant:	Yes

Inner conductor data

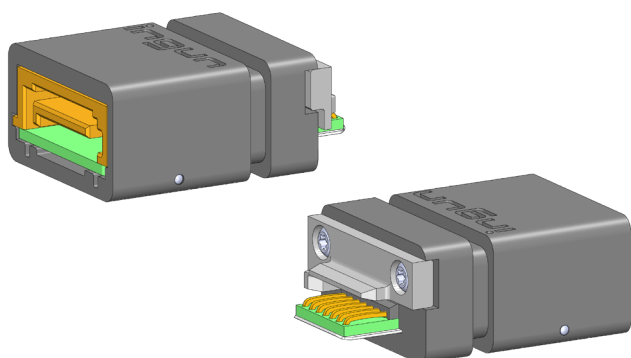
Number of inner conductors: 7

Electrical data

Impedance: 100 Ohm
Max. data rate: 1.2 Gbit/s

Mechanical data

Total length: 28.5 mm [1.12 in]



INGUN Prüfmittelbau GmbH

Max-Stromeyer-Straße 162
78467, Constance, Germany
Phone +49 7531 8105-0
Customer hotline +49 7531 8105-888
Fax +49 7531 8105-65
info@ingun.com



Learn more about
Test probes

