

# Battery contacting probe

## BCP-695 360 1800 A 100004-54

Item BCP-695-0001

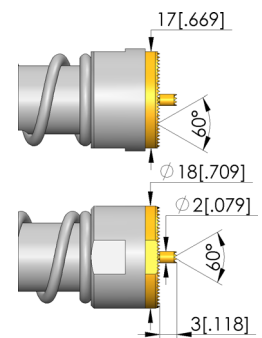
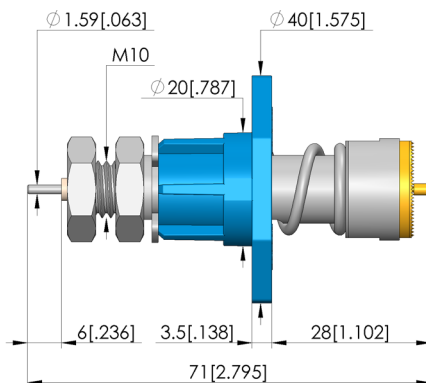
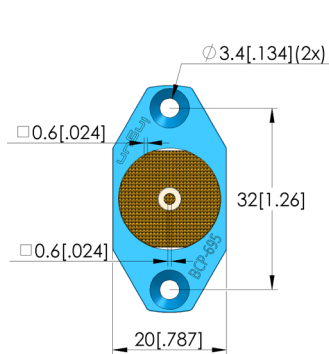
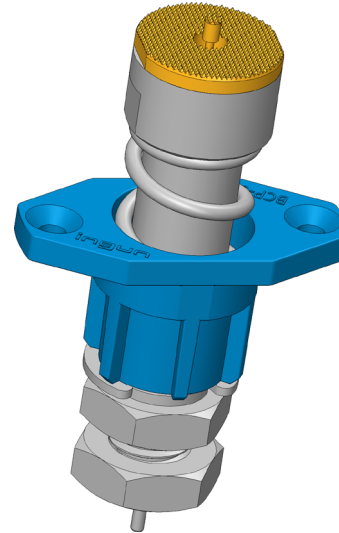
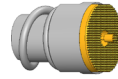


GO TO PRODUCT

**ingun**<sup>®</sup>

Partner for Future Technology

- Contacting solution for cylindrical cells (46xx) and prismatic as well blade cells, Battery Modules and -Packs
- Current rating upto 120 A on Al DUT with temperaturer rise  $dT \leq 20 \text{ K}$ ; max. current rating of 280 A on high conducting materials like copper alloys
- Designed for a range of cell contacting applications such as Formation, Charging and DC-IR measurement
- Continuous plunger system with minimal resistance R typical  $< 1.5 \text{ m}\Omega$
- Simple flange mounting with flexible cable connection
- Dipole Design provided with measuring contact for precise voltage measurements
- Easy connection of the voltage sensor: both soldering and cable lug installation possible



### General data

Product group:	Dipole BCP / 4-wire clamp
Sub-product group:	Dipole BCP / 4-wire clamp
Series:	BCP-695
Application rec.:	
Grid:	21 mm [826 mil]
DUT / contact:	
Magnetic:	Yes
Installation type:	Flange
Quick-exchange system:	No
Type of test probe connection:	Thread connection
Adjustable installation height:	No
Non-rotating:	Yes
Min. temperature:	-40 °C [-40 °F]
Max. temperature:	80 °C [176 °F]
RoHS-compliant:	Yes

### Electrical data

Current load capacity / rated current:	280 A
Rated current on copper @ $\Delta T \leq 20 \text{ K}$ :	170 A
Rated current on copper @ $\Delta T \leq 60 \text{ K}$ :	280 A
Rated current on aluminium @ $\Delta T \leq 20 \text{ K}$ :	120 A
Rated current on aluminium @ $\Delta T \leq 60 \text{ K}$ :	240 A
Typical resistance (Ri):	.5 mOhm

### Mechanical data

Total length:	71 mm [2.79 in]
Barrel diameter:	20 mm [.787 in]
Maximum stroke:	7 mm [.275 in]
Spring pre-load:	47.62 N [171 ozf]
Collar height:	04
Spring force at working stroke:	100 N [359 ozf]
Recommended working stroke:	4.4 mm [.173 in]

### Tip style data

Tip style:	60 serrated, small grid
Tip diameter:	18 mm [.708 in]
Tip style surface:	A gold
Tip style material:	3 CuBe

# Battery contacting probe

## BCP-695 360 1800 A 100004-54

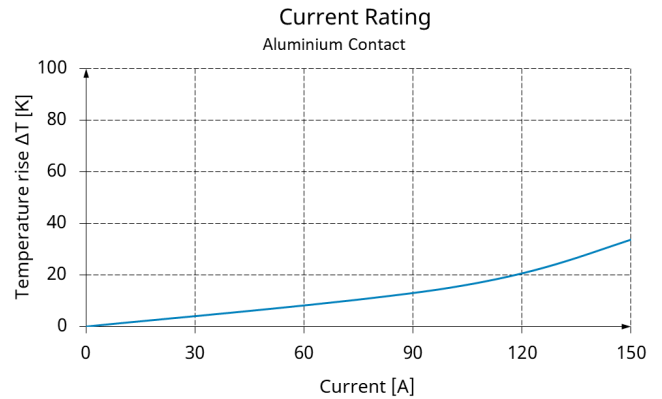
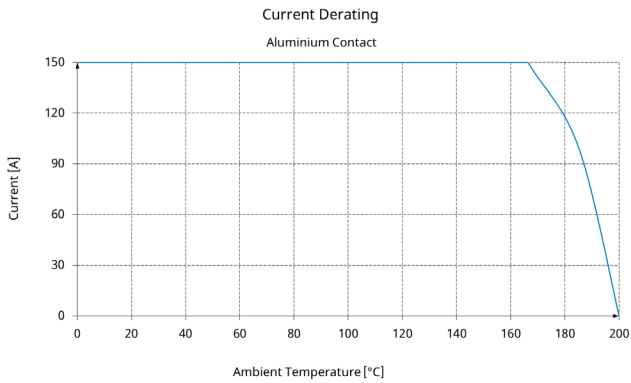
Item BCP-695-0001



GO TO PRODUCT

**ingun**<sup>®</sup>

Partner for Future Technology



### Cable plug assemblies

Part no. EN	Designation	Tip version EN
SE-AWG08-0001	SE-AWG08-6-AN0001-130-AN0002-5	cable assembly
SE-AWG20-0002	SE-AWG20-2-BU01660-100	cable assembly

### INGUN Prüfmittelbau GmbH

Max-Stromeyer-Straße 162  
78467, Constance, Germany  
Phone +49 7531 8105-0  
Customer hotline +49 7531 8105-888  
Fax +49 7531 8105-65  
info@ingun.com



Prices and delivery times on request.  
Technical changes reserved. 06/26\_GB

Learn more about  
**Test probes**

