

# Board marker probe ME-E-R2,0-12-100-K12V

Item 24456



GO TO PRODUCT

**ingun**<sup>®</sup>

Partner for Future Technology

- Compact, robust design
- Precise, adjustable positioning
- Permanent marking of various materials
- Outstanding service life, highly resistant to wear
- Electric drive system

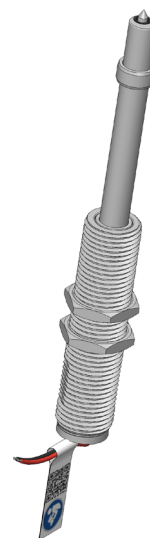
## Application

The new ME-E board marker probe is used for reliable marking of tested electronic assemblies. It is installed in a test fixture or exchangeable kit, takes up little space, and can be precisely adjusted.

## Function

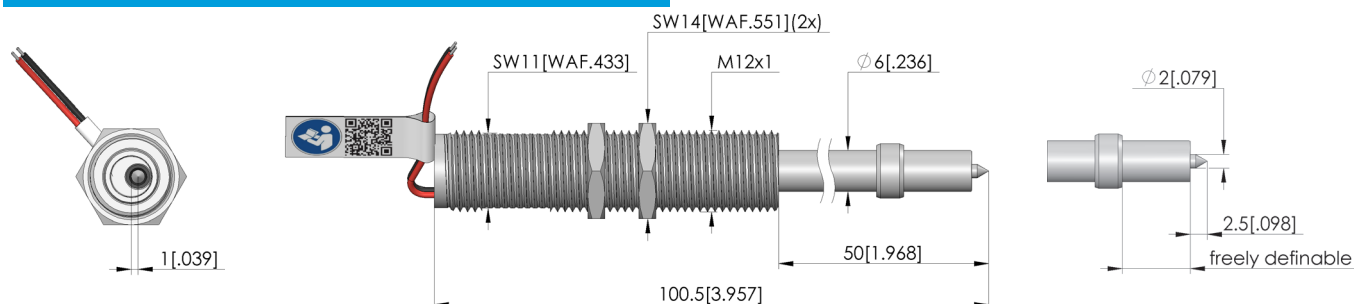
The spring-loaded marking engraver is pressed against the surface of the PCB during the test. The marking unit is supplied with current in the contacted state. The rotary movement generated by the current marks the PCB permanently.

## INGUN SELECTION



### Note:

To achieve an optimum marking result, the engraver shaft must be guided in the front area with the slide bearing provided (part no. 38377).



## General data

Product group:  
Series:  
Version:  
Accessory type:  
Outer dimensions (TxL):  
Outer thread:  
Lock nut width across flats:  
Marking type:  
Approx. marking Ø:  
Surface material:  
Weight:  
Min. temperature:  
Max. temperature:  
RoHS-compliant:

Board marker probes (ME)  
ME-E  
Electrical  
Customising accessories  
12 x 100.5 mm [.472 x 3.95 in]  
M12 x 1  
14 mm [.551 in]  
Circle  
2 mm [.078 in]  
Hard / soft  
0.05 kg [.11 lbs]  
-20 °C [-4 °F]  
65 °C [149 °F]  
Yes

## Technical data

Recommended working stroke:  
Recommended marking impulse:  
Maximum stroke (ME):  
Approx. compression at working stroke:  
Marking tip:  
Engraver material:  
Approx. engraver hardness:  
Drive:  
Motor connection via:  
Rated voltage:  
Rated output:  
No-load current:  
Starting current:  
Connecting resistance:  
Max. load current:  
Max. torque:  
Approx. idle speed:  
Noise emission:

1.5 mm [.059 in]  
1 s  
2 mm [.078 in]  
3.1 N [11.1 ozf]  
Scratching engraver  
Solid carbide  
1600 HV  
Electric gear motor  
Cable  
12 V DC  
.75 W  
3.68 mA  
106 mA  
114 Ohm  
81 mA  
54 mNm [.477 lbf·in]  
180 U/min  
Not relevant

## Compatible with

Manual test fixtures (MA):  
Vacuum test fixtures (VA):  
MA exchangeable kits (ATS MA):  
VA exchangeable kits (ATS VA):  
PA exchangeable kits (ATS PA):

MA 20xx  
VA xxxx  
ATS VINxxx  
ATS PAZxxx

BOARD MARKER PROBES

# Board marker probe ME-E-R2,0-12-100-K12V

Item 24456



**ingun**<sup>®</sup>

Partner for Future Technology



## Accessories

Part no.	Designation	Version
27316	SWS-ME-E-R2,0	Engraver change set, scratching engraver for markings with D = 2.0 mm (including pressure spring 24454)
37021	ASV-ME-E-WL-EC	Extraction device

## INGUN Prüfmittelbau GmbH

Max-Stromeyer-Straße 162  
78467, Constance, Germany  
Phone +49 7531 8105-0  
Customer hotline +49 7531 8105-888  
Fax +49 7531 8105-65  
info@ingun.com



Prices and delivery times on request.  
Technical changes reserved. 06/26\_GB

Learn more about  
Board marker probes



ingun.com