

Anti-pinch protection

FB-KSG-MAxxxx

Item 29805



GO TO PRODUCT

ingun®

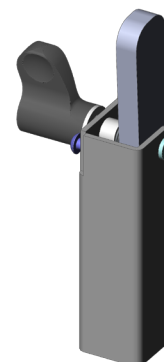
Partner for Future Technology

- Safety of operating staff ensured during maintenance operations
- Installed as standard on xx12, xx13, xx13T, and xx14 test fixtures
- Can be upgraded to double-sided anti-pinch protection with optional anti-pinch protection extension
- Quick, easy installation with minimum rework on housing required

Function

The anti-pinch protection creates a safe distance between the housing and the drive unit so that fingers cannot be trapped if the drive unit were to close accidentally. To close the drive unit completely, the anti-pinch protection must be folded back using a lever.

The single-sided anti-pinch protection can be extended to a two-sided anti-pinch protection by means of an additional functional unit. This is useful for large test fixture in order to increase the safety of the operating personnel during maintenance and to minimise damage of the housing in the event of misuse.



Note:

The anti-pinch protection can quickly and easily be upgraded on all MA xxxx test fixtures as required. Please note that under laboratory conditions it can withstand a max. load of approx. 10 kg for five operation errors. Thereafter the functional unit must be replaced to ensure optimum performance of the test fixture.

General data

Product group:	Functional units
Series:	FB-MAxxxx
Type:	Anti-pinch protection
Version:	Set
Accessory type:	Additional function
Scope of delivery:	Unassembled
Width:	57.7 mm [2.27 in]
Height:	130 mm [5.11 in]
Weight:	0.04 kg [.088 lbs]
Min. temperature:	10 °C [50 °F]
Max. temperature:	60 °C [140 °F]
RoHS-compliant:	Yes

Compatible with

Exchangeable kits version:	No limitations
Manual test fixtures (MA):	MA xxxx

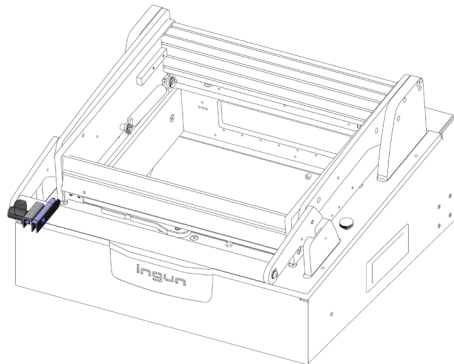
Technical data

Length:	36 mm [1.41 in]
Outer dimensionS (WxDxH):	57.7 x 36 x 130 mm [2.27 x 1.41 x 5.11 in]

FUNCTIONAL UNIT



GO TO PRODUCT



Anti-pinch protection extensions

Part no.	Designation	Version	Compatible with
111799	FB-KSG-ER-MAxx12	Anti-pinch protection extension	MA xx12 test fixtures
111802	FB-KSG-ER-MAxx13/13T	Anti-pinch protection extension	MA xx13 / MA xx13T test fixtures
110707	FB-KSG-ER-MAxx14	Anti-pinch protection extension	MA xx14 test fixtures

INGUN Prüfmittelbau GmbH

Max-Stromeyer-Straße 162
78467, Constance, Germany
Phone +49 7531 8105-0
Customer hotline +49 7531 8105-888
Fax +49 7531 8105-65
info@ingun.com



Learn more about
MA functional units

