

RF absorber mat

HF-A-2,4GHz-ATSMA11/HF/AL

Item 112700



GO TO PRODUCT

ingun®

Partner for Future Technology

- RF absorber for radio-frequency exchangeable kit for setting up an interference-free, internal radio network
- Reliable prevention of unwanted reflections of radio signals within the radio-frequency chamber

Application

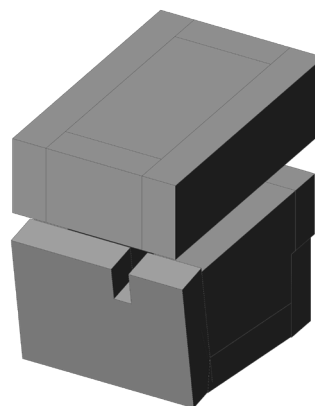
RF absorbers are used to cover the inner walls of the radio-frequency exchangeable kit in order to create an interference-free radio network and prevent reflections of radio signals within the RF chamber. The RF absorber is selected based on the frequency used and the size of the exchangeable kit.

Note:

Refer to the customising guidelines document INFO 4585 to ensure correct installation of the RF absorber.

Note:

RF absorbers have a conductive (light grey) and a non-conductive (anthracite) surface. During installation, ensure that the light grey side faces the RF DUT and the anthracite side faces the RF chamber.



Note:

Exchangeable kits customised with RF absorbers, the usable areas and the maximum permitted component height of the PCB are reduced.

General data

| | |
|--------------------|---------------------------------|
| Product group: | RF accessories |
| Series: | HF-A |
| Type: | RF absorber set |
| Version: | RF exchangeable kit ATS MA11/HF |
| Accessory type: | Customising accessories |
| Scope of delivery: | Unassembled |
| Material: | RF plastic foam |
| Weight: | 0.28 kg [.617 lbs] |
| Min. temperature: | 10 °C [50 °F] |
| Max. temperature: | 60 °C [140 °F] |
| RoHS-compliant: | Yes |

Compatible with

| | |
|--------------------------------|--------------------------|
| Exchangeable kits version: | HF, ESD |
| MA exchangeable kits (ATS MA): | ATS MA11(/S-5)/HF/AL/ESD |

Technical data

| | |
|---------------------------|--|
| Free space above PCB: | 30 mm [1.18 in] |
| Frequency up to: | 2.4 GHz |
| Useable area (WxD): | 75 x 130 mm [2.95 x 5.11 in] |
| Outer dimensionS (WxDxH): | 148 x 222 x 195 mm [5.82 x 8.74 x 7.67 in] |

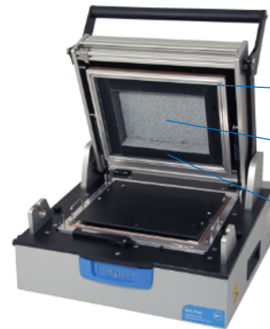
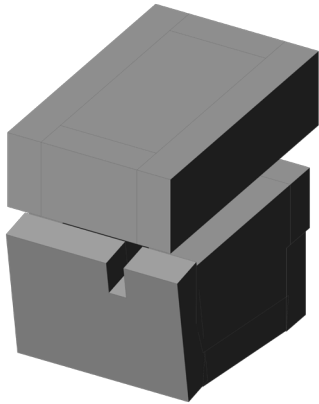
RF absorber mat HF-A-2,4GHz-AT SMA11/HF/AL

Item 112700



ingun[®]

Partner for Future Technology



- Top RF chamber
- Conductive surface (light grey)
- Non-conductive surface (anthracite)

Radio-frequency exchangeable kits

| Part no. | Designation | Version |
|----------|------------------------|---|
| 154011 | ATS MA11/HF/AL/ESD | Radio-frequency exchangeable kit without internal interface |
| 154111 | ATS MA11/S-5/HF/AL/ESD | Radio-frequency exchangeable kit with internal interface |

INGUN Prüfmittelbau GmbH

Max-Stromeyer-Straße 162
78467, Constance, Germany
Phone +49 7531 8105-0
Customer hotline +49 7531 8105-888
Fax +49 7531 8105-65
info@ingun.com



Prices and delivery times on request.
Technical changes reserved. 05/26_GB