

Interface block

SB-T-HS-024-30A

Item 27628



ingun[®]

Partner for Future Technology

- Equipped with INGUN test probes
- Suitable for test fixtures with internal or external Pylon interface
- Consistently low contact resistances and replicable measured values
- High contact reliability and transmission quality
- Reliable transmission of high current signals

Application

Interface blocks (SB) are used to reliably transmit signals between test device and test system in internal and external Pylon interfaces. High-current blocks are suitable for the reliable transmission of high currents and hazardous voltages within the scope of their specification.

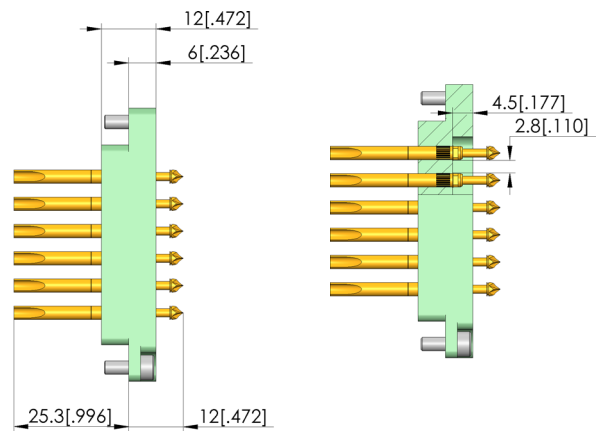
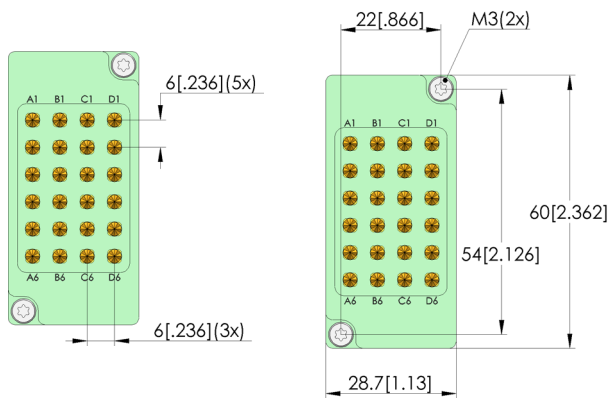
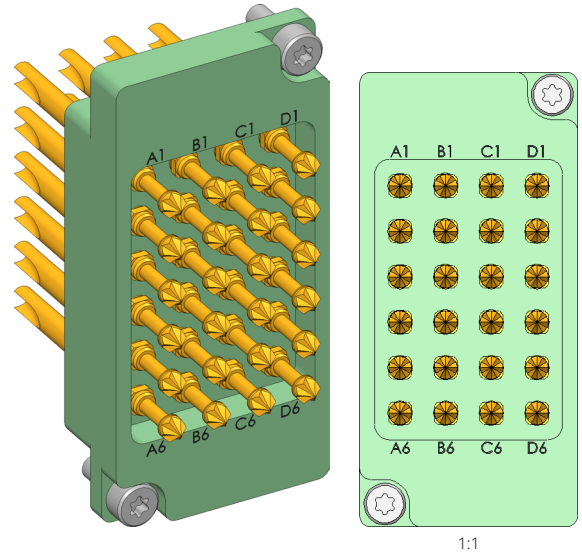
Signal transmission

The signal is transmitted via two opposing interface blocks, which are designed for a working distance of 15.1 ± 0.5 mm between their mounting surfaces.

Delivery

The product is delivered fully assembled including the installation accessories.

INGUN SELECTION



Interface block

SB-T-HS-024-30A

Item 27628



GO TO PRODUCT

ingun[®]

Partner for Future Technology

General data

Product group:	Interface blocks (SB)
Series:	SB-HS
Type:	High-current block
Version:	Test system side
Accessory type:	Customising accessories
Component assembly:	HSS-120-0081 & KS-11330M2-R
Weight:	0.03 kg [.066 lbs]
Min. temperature:	-30 °C [-22 °F]
Max. temperature:	120 °C [248 °F]
RoHS-compliant:	Yes

Electrical data

Typical resistance (Ri) of one GKS:	10 mOhm
-------------------------------------	---------

Compatible with

Compatible mating part 1:	SB-P-HS-024-30A-1,0
Manual test fixtures (MA):	MA 21xx
Pylon receiver:	RC-PYLON-12-V2

Technical data

Working distance:	15,1 +/- 0,5 mm
Connection:	Solder cup
GKS working stroke :	4 mm [.157 in]
Air distance (not wired):	2.4 mm [.094 in]
Spring force:	52.8 N [189 ozf]
Max. current of one GKS:	30 A
Max. current of all GKS:	16 A
Max. voltage:	1,920 V
Max. power loss:	25 W
Min. line cross-section:	1.5 mm ² [.002 in ²]

INGUN Prüfmittelbau GmbH

Max-Stromeyer-Straße 162
78467, Constance, Germany
Phone +49 7531 8105-0
Customer hotline +49 7531 8105-888
Fax +49 7531 8105-65
info@ingun.com



Prices and delivery times on request.
Technical changes reserved. 06/26_GB