

# Battery contacting probe

## BCP-694 360 1250 A 45004-00

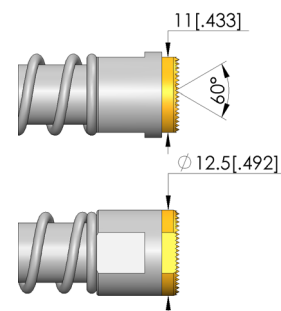
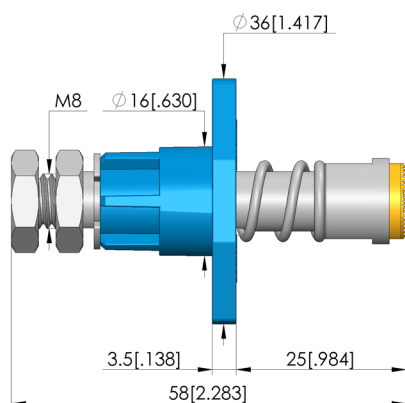
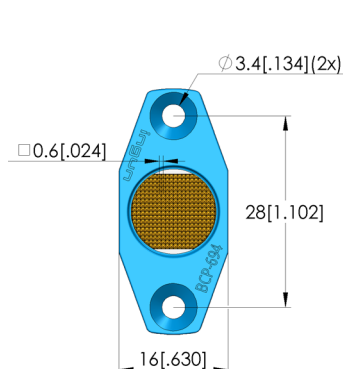
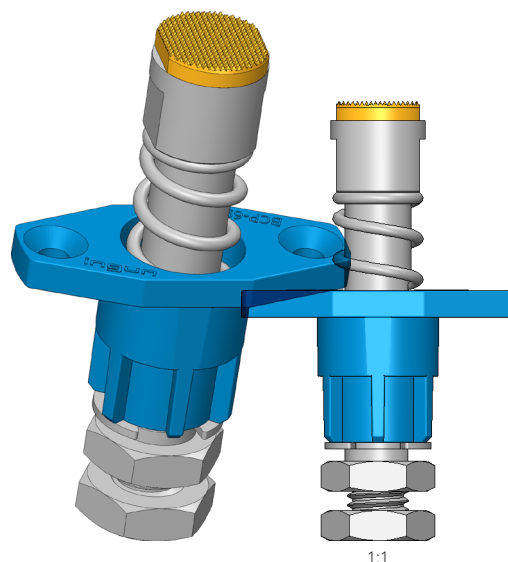
Item BCP-694-0005

GO TO PRODUCT

**ingun**<sup>®</sup>

Partner for Future Technology

- Contacting solution for cylindrical cells (46xx) and prismatic as well blade cells, Battery Modules and -Packs
- Current rating upto 80 A on Al DUT with temperaturer rise  $dT \leq 20 \text{ K}$ ; max. current rating of 240 A on high conducting materials like copper alloys
- Designed for a range of cell contacting applications such as Formation and Charging
- Continuous plunger system with minimal resistance R typical  $< 3 \text{ m}\Omega$
- Simple flange mounting with flexible cable connection
- High current probe with light weight design to reduce over-all system weight



### General data

Product group:	Dipole BCP / 4-wire clamp
Sub-product group:	Dipole BCP / 4-wire clamp
Series:	BCP-694
Application rec.:	
Grid:	17 mm [669 mil]
DUT / contact:	
Magnetic:	Yes
Installation type:	Flange
Quick-exchange system:	No
Type of test probe connection:	Thread connection
Adjustable installation height:	No
Non-rotating:	Yes
Continuous plunger:	M 8 x 10,5
Min. temperature:	-40 °C [-40 °F]
Max. temperature:	80 °C [176 °F]
RoHS-compliant:	Yes

### Electrical data

Current load capacity / rated current:	240 A
Rated current on copper @ $\Delta T \leq 20 \text{ K}$ :	140 A
Rated current on copper @ $\Delta T \leq 60 \text{ K}$ :	240 A
Rated current on aluminium @ $\Delta T \leq 20 \text{ K}$ :	80 A
Rated current on aluminium @ $\Delta T \leq 60 \text{ K}$ :	140 A
Typical resistance (Ri):	

### Mechanical data

Total length:	58 mm [2.28 in]
Barrel diameter:	16 mm [6.29 in]
Maximum stroke:	7 mm [2.75 in]
Spring pre-load:	22.75 N [81.8 ozf]
Collar height:	04
Spring force at working stroke:	45 N [161 ozf]
Recommended working stroke:	4.4 mm [1.73 in]

### Tip style data

Tip style:	60 serrated, small grid
Tip diameter:	12.5 mm [.492 in]
Tip style surface:	A gold
Tip style material:	3 CuBe

# Battery contacting probe

## BCP-694 360 1250 A 45004-00

Item BCP-694-0005

[GO TO PRODUCT](#)

**ingun**<sup>®</sup>

Partner for Future Technology

### Cable plug assemblies

Part no. EN	Designation	Tip version EN
SE-AWG08-0002	SE-AWG08-6-AN0003-100-AN0004-3	cable assembly

#### INGUN Prüfmittelbau GmbH

Max-Stromeyer-Straße 162  
78467, Constance, Germany  
Phone +49 7531 8105-0  
Customer hotline +49 7531 8105-888  
Fax +49 7531 8105-65  
[info@ingun.com](mailto:info@ingun.com)



Prices and delivery times on request.  
Technical changes reserved. 06/26\_GB

Learn more about  
**Test probes**

