

Spare part kit, RF seal

ETK-KFE-ATSMAXx12/HF

Item 41765



GO TO PRODUCT

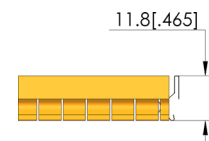
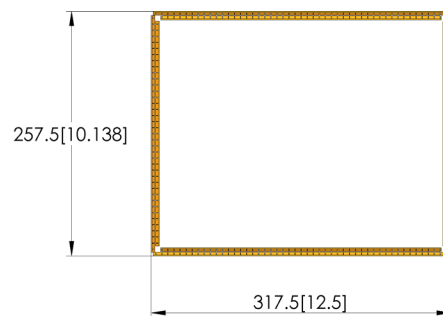
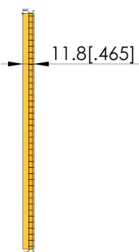
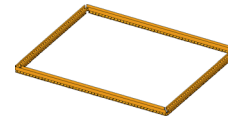
ingun®

Partner for Future Technology

- Spare parts kit for quick, reliable and preventive maintenance
- Easy exchange on site
- Hohe Hochfrequenz-Abschirmung und Materialfestigkeit durch exzellente Federeigenschaften

Application

HF-Dichtungen werden eingesetzt, um Hochfrequenz-Austauschsätze gegen Störsignale zuverlässig und prozesssicher über ihren gesamten Frequenzbereich abzuschirmen.



General data

Product group:
Series:
Type:
Version:
Accessory type:
Scope of delivery:
Material:
Width:
Weight:
Min. temperature:
Max. temperature:
RoHS-compliant:

Spare part kits
ETK-ATSMAXxxx
RF seal

Spare parts
Unassembled
CuBe
257.5 mm [10.1 in]
0.06 kg [.132 lbs]
10 °C [50 °F]
60 °C [140 °F]
Yes

Compatible with

Exchangeable kits version:
MA exchangeable kits (ATS MA):

HF
ATS MAXx12/HF

Technical data

Length:

317.5 mm [12.5 in]

INGUN Prüfmittelbau GmbH

Max-Stromeyer-Straße 162
78467, Constance, Germany
Phone +49 7531 8105-0
Customer hotline +49 7531 8105-888
Fax +49 7531 8105-65
info@ingun.com



Prices and delivery times on request.
Technical changes reserved. 06/26_GB

Learn more about
Test fixture kits

