

Additional contacting unit

ZSK-10-VAx70ST

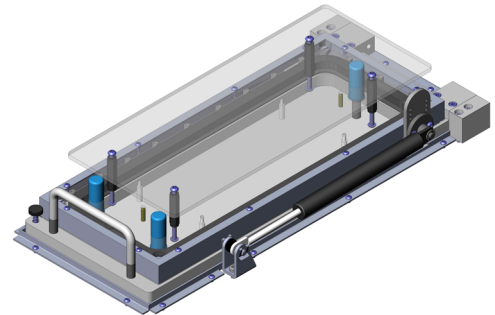
Item 43070



GO TO PRODUCT

ingun[®]

Partner for Future Technology



General data

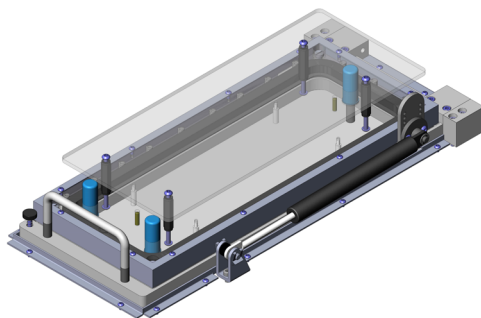
Product group:	Mounted units
Series:	ZSK-VAxxx
Type:	ZSK-VA-P
Version:	Top single-stage
Accessory type:	Additional function
Contact stroke generation:	Vacuum
Width:	201 mm [7.91 in]
Height:	82 mm [3.22 in]
Weight:	2.6 kg [5.73 lbs]
Min. temperature:	10 °C [50 °F]
Max. temperature:	60 °C [140 °F]

Compatible with

Exchangeable kits version: No limitations

Technical data

Parallel stroke:	10 mm [.393 in]
Pushrod length:	15 mm [.59 in]
Test probe installation height, top:	10.5 mm [.413 in]
Free space above PCB:	5 mm [.196 in]
Pressure frame opening angle:	85 °
Useable area (WxD):	100 x 260 mm [3.93 x 10.2 in]
Length:	427 mm [16.8 in]
Outer dimensionS (WxDxH):	201 x 427 x 75 mm [7.91 x 16.8 x 2.95 in]



INGUN Prüfmittelbau GmbH

Max-Stromeyer-Straße 162
78467, Constance, Germany
Phone +49 7531 8105-0
Customer hotline +49 7531 8105-888
Fax +49 7531 8105-65
info@ingun.com



Prices and delivery times on request.
Technical changes reserved. 05/26_GB

Learn more about
Test fixture kits

