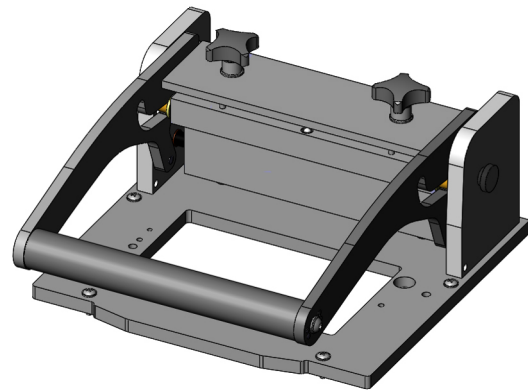




GO TO PRODUCT

- Parallel closing drive unit with mounting plate, without internal interface
- High contact force
- Freely configurable signal transmission with VG multipoint connector
- Quick, easy, precise installation
- Can be used for various applications



### General data

Product group:	Manual drive unit
Main series:	ATE MAxxx
Series:	ATE MA2xx
Size:	260
Test fixture type:	With mounting plate
Contact stroke generation:	Manual
Max. interface signals:	150
Interface blocks required:	No
Max. contact force:	300 N [1,079 ozf]
Approx. parallel contact stroke:	15 mm [.59 in]
Min. temperature:	10 °C [50 °F]
Max. temperature:	60 °C [140 °F]
RoHS-compliant:	Yes

### Technical data

Pressure frame closing force:	60 N [215 ozf]
Pressure frame opening angle:	50 °
Outer dimensions, open (WxDxH):	263 x 280 x 250 mm [10.3 x 11 x 9.84 in]
Outer dimensions, closed (WxDxH):	263 x 296 x 134 mm [10.3 x 11.6 x 5.27 in]

### INGUN Prüfmittelbau GmbH

Max-Stromeyer-Straße 162  
78467, Constance, Germany  
Phone +49 7531 8105-0  
Customer hotline +49 7531 8105-888  
Fax +49 7531 8105-65  
info@ingun.com



Learn more about  
Test fixture kits

