

# Top side contacting unit ESD FB-ZSK-ESD-ATSM/VA

Item 45704-KIT

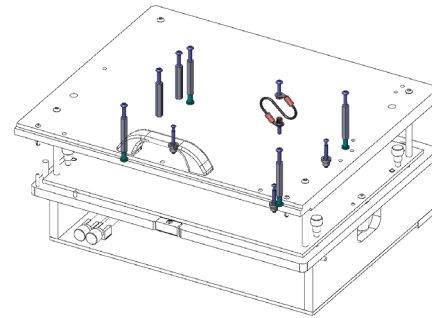


GO TO PRODUCT

**ingun**<sup>®</sup>

Partner for Future Technology

- Assembly kit for contacting from the top side
- Upper probe plate is not included in the scope of delivery



## General data

Product group:  
Series:  
Type:  
Version:  
Accessory type:  
Scope of delivery:  
RoHS-compliant:

Functional units  
FB-ATSM<sup>xx</sup>  
ESD  
Additional contacting unit  
Additional function  
Unassembled  
Yes

## Compatible with

Exchangeable kits version:  
MA exchangeable kits (ATS MA):

ESD  
ATS MA<sup>xx</sup>

## INGUN Prüfmittelbau GmbH

Max-Stromeyer-Straße 162  
78467, Constance, Germany  
Phone +49 7531 8105-0  
Customer hotline +49 7531 8105-888  
Fax +49 7531 8105-65  
info@ingun.com



Prices and delivery times on request.  
Technical changes reserved. 05/26\_GB

Learn more about  
MA functional units



FUNCTIONAL UNIT

ingun.com