

# Pneumatic magnet valve

## PMV-MO5/2-QS4-24V-SET

Item 42702



GO TO PRODUCT

**ingun**<sup>®</sup>

Partner for Future Technology

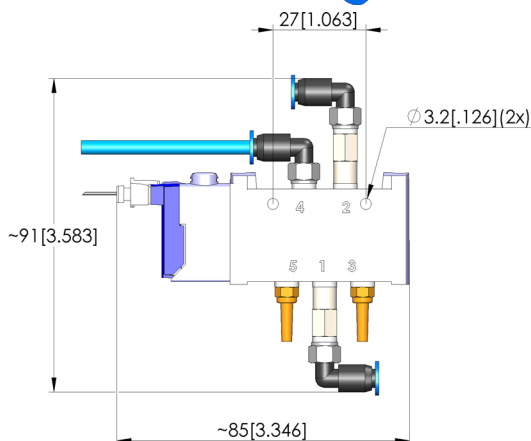
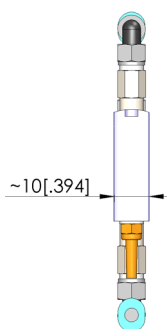
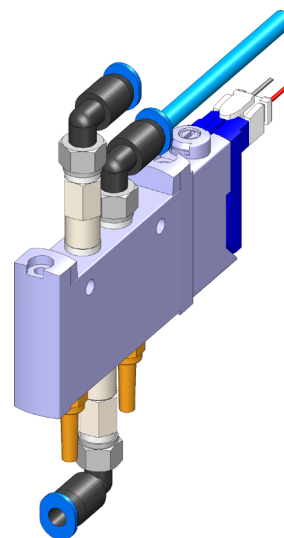
- Precise control of compressed air
- Quick reaction times thanks to combination of electronic activation and mechanical movement
- Reliable and durable, even under harsh conditions.
- Compact design, ideal for use in limited spaces

### Application

Pneumatic solenoid valves are used to control pneumatic drives in order to regulate or stop the flow of the required compressed air.

### Function

Pneumatic solenoid valves consist of a solenoid coil system and a valve mechanism. Applying voltage to the solenoid coil generates a magnetic field that actuates the valve mechanism. This controls the air flow.



### General data

Product group:	Pneumatic accessory
Series:	PMV
Type:	Magnet valve, set
Version:	5/2 monostable, open
Accessory type:	Customising accessories
Scope of delivery:	Incl. connector accessories
Material:	Aluminium alloy
Width:	10 mm [0.393 in]
Height:	91 mm [3.58 in]
Weight:	0.04 kg [0.088 lbs]
Min. temperature:	-5 °C [23 °F]
Max. temperature:	60 °C [140 °F]
RoHS-compliant:	Yes

### Compatible with

Accessories: FB-SOP

### Technical data

Installation:	Bore D = 3.2 mm
Max. voltage:	24 VDC
Number of poles:	5
Compressed air connection:	QS-4
Rated flow:	90 l/min [23.7 gal/min]
Length:	85 mm [3.34 in]
Cable length:	500 mm [19.6 in]
Outer dimensionS (WxDxH):	85 x 10 x 91 mm [3.34 x .393 x 3.58 in]

### INGUN Prüfmittelbau GmbH

Max-Stromeyer-Straße 162  
78467, Constance, Germany  
Phone +49 7531 8105-0  
Customer hotline +49 7531 8105-888  
Fax +49 7531 8105-65  
info@ingun.com



Prices and delivery times on request.  
Technical changes reserved. 06/26\_GB