

Extraction device ASV-ME-E-WL-EC

Item 37021



GO TO PRODUCT

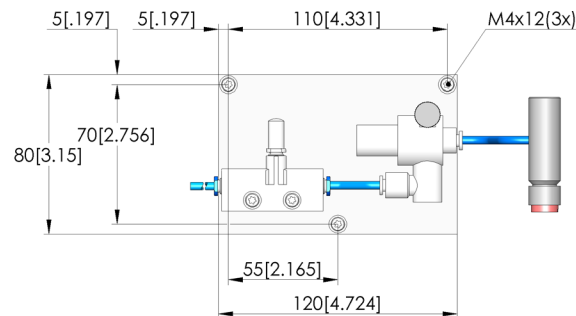
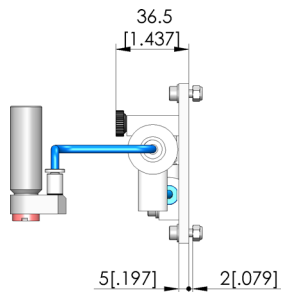
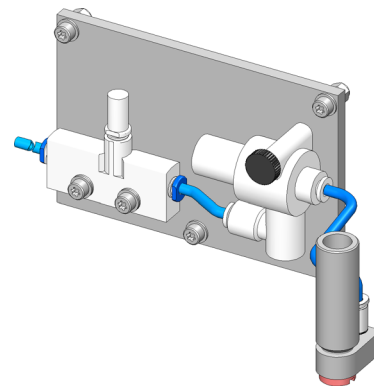
ingun[®]

Partner for Future Technology

- Suction device for electric board marker probe (ME)
- Suction to remove shavings caused by the marking process
- Removeable collection container (no tools required)
- Quick, easy installation

Application

The suction device minimises unwanted contamination caused by the marking process. The shavings produced are extracted pneumatically using the trusted Venturi principle by means of a vacuum suction nozzle, fed through an extraction head to a collection container with a filter insert, and collected there. The collection container can be detached without tools and emptied with minimal effort.



General data

Product group:
Series:
Type:
Version:
Accessory type:
Scope of delivery:
Width:
Height:
Weight:
Min. temperature:
Max. temperature:
RoHS-compliant:

Pneumatic accessory
ASV
Suction device
ME-E
Additional function
Pre-assembled
37 mm [1.45 in]
80 mm [3.14 in]
0.24 kg [.529 lbs]
10 °C [50 °F]
60 °C [140 °F]
Yes

Compatible with

Board marker probe (ME):

ME-E-R2,0-12-100-K12V

Technical data

Installation: Thread M4
Compressed air connection: QS-4
Suction nozzle (WxDxH): 16 x 28 x 58 mm [0.629 x 1.1 x 2.28 in]
Length: 120 mm [4.72 in]
Outer dimensionS (WxDxH): 120 x 37 x 80 mm [4.72 x 1.45 x 3.14 in]

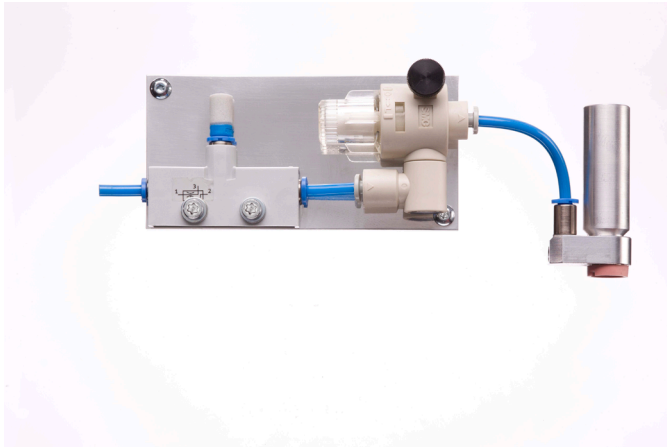
Extraction device ASV-ME-E-WL-EC

Item 37021



ingun[®]

Partner for Future Technology



Board marker probes

Part no.	Designation	Version
24456	ME-E-R2,0-12-100-K12V	Electric board marker probe with scratching engraver

INGUN Prüfmittelbau GmbH

Max-Stromeyer-Straße 162
78467, Constance, Germany
Phone +49 7531 8105-0
Customer hotline +49 7531 8105-888
Fax +49 7531 8105-65
info@ingun.com



Prices and delivery times on request.
Technical changes reserved. 06/26_GB