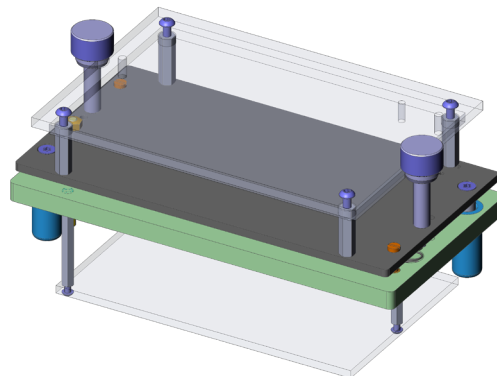




GO TO PRODUCT

- Quick, tool-free set-up, can be used without readjustment
- Available in standard and ESD versions, without internal interface
- Signal transmission using VG multipoint connectors for individual configurations
- Pressure plate unit and probe plate unit can be screwed together with stacking screws to form a unit with protected probe field
- Robust, durable design
- Can be customised using functional units for individual configurations
- Detailed accompanying documents (e.g., customising guidelines)



### General data

Product group:	ATS manual test fixture (MA)
Subseries:	ATS MAxxx
Series:	ATS MA160
Version:	Without interface
Scope of delivery:	Unassembled
For tandem fixtures:	No
Max. interface signals:	0
Interface blocks required:	No
Max. internal interface blocks:	0
Internal interface:	Not available
Dual-stage contacting:	No
Double-sided contact:	No
Weight:	0.96 kg [2.11 lbs]
Min. temperature:	10 °C [50 °F]
Max. temperature:	60 °C [140 °F]
Low voltage:	No
RoHS-compliant:	Yes

### Compatible with

Manual test fixtures (MA):	MA 160
----------------------------	--------

### Technical data

Pushrod length:	20 mm [.787 in]
Test probe installation height, bottom:	10.5 mm [.413 in]
Free space above PCB:	18 mm [.708 in]
Permissible test voltage:	25VAC/60VDC
Useable area (WxD):	160 x 100 mm [6.29 x 3.93 in]
Outer dimensionS (WxDxH):	206 x 118 x 108 mm [8.11 x 4.64 x 4.25 in]

### INGUN Prüfmittelbau GmbH

Max-Stromeyer-Straße 162  
78467, Constance, Germany  
Phone +49 7531 8105-0  
Customer hotline +49 7531 8105-888  
Fax +49 7531 8105-65  
info@ingun.com



Learn more about  
MA exchangeable kits

