

Extraction device ASV-ME-E-WK-EC

Artículo 36797



DIRECTAMENTE AL PRODUCTO

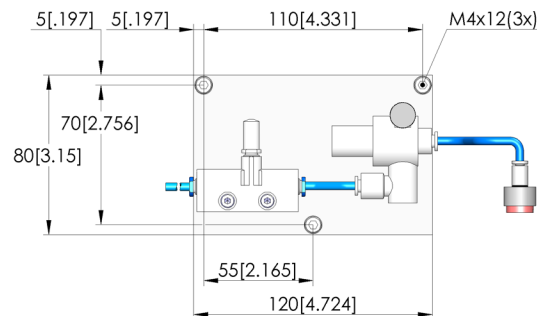
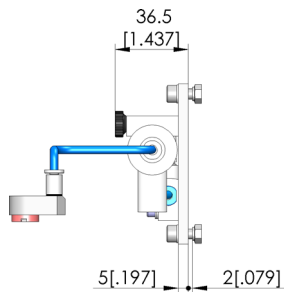
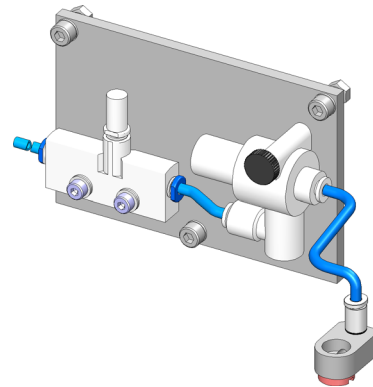
ingun[®]

Partner for Future Technology

- Suction device for electric board marker probe (ME)
- Suction to remove shavings caused by the marking process
- Removeable collection container (no tools required)
- Montaje rápido y sencillo

Utilización

The suction device minimises unwanted contamination caused by the marking process. The shavings produced are extracted pneumatically using the trusted Venturi principle by means of a vacuum suction nozzle, fed through an extraction head to a collection container with a filter insert, and collected there. The collection container can be detached without tools and emptied with minimal effort.



Datos generales

Grupo de productos:

Serie:

Tipo:

Modelo:

Tipo de accesorios:

Estado de entrega:

Ancho:

Altura:

Peso:

Temperatura mín.:

Temperatura máx.:

Conforme RoHS:

Accesorios neumáticos

ASV

Dispositivo aspirador

ME-E

Función adicional

Premontada

37 mm

80 mm

0,24 kg

10 °C

60 °C

Sí

Compatible con

Unidades de marcado (ME):

ME-E-x2,0-12-0x0-xxxx

Datos técnicos

Montaje:

Rosca M4

Conexión de aire comprimido:

QS-4

Cabezal de aspiración (AnxPxAl):

16 x 28 x 26 mm

Longitud:

120 mm

Dimensiones exteriores (AnxPxAl):

120 x 37 x 80 mm

Extraction device ASV-ME-E-WK-EC

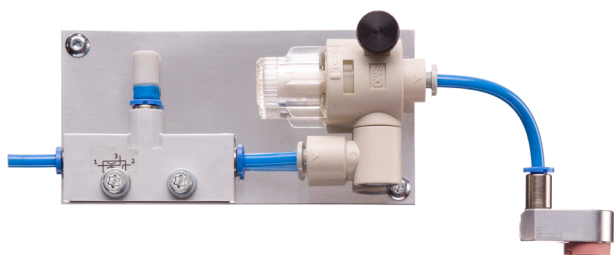
Artículo 36797



DIRECTAMENTE AL PRODUCTO

ingun[®]

Partner for Future Technology



Board marker probes

Part no.	Designation	Version
24447	ME-E-R2,0-12-060-K12V	Electric board marker probe with scratching engraver
25252	ME-E-S2,0-12-060-K12V	Electric board marker probe with cutting engraver
38371	ME-E-R2,0-12-080-S12V	Electric board marker probe with scratching engraver

INGUN Prüfmittelbau GmbH

Max-Stromeyer-Straße 162
78467, Constance, Germany
Phone +49 7531 8105-0
Customer hotline +49 7531 8105-888
Fax +49 7531 8105-65
info@ingun.com

