

# Shock-proof plate FB-BSP-AT SMA12

Item 41812

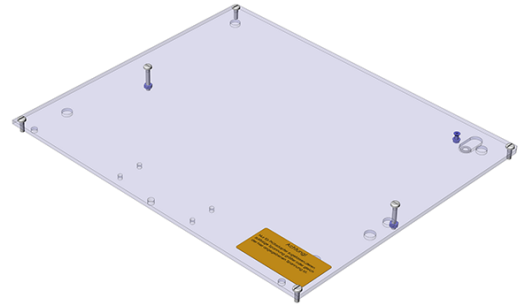


GO TO PRODUCT

**ingun**<sup>®</sup>

Partner for Future Technology

- Upgrade kits to make operation easier, increase the testing reliability, and to reduce handling times
- Available for manual test fixtures and exchangeable kits
- Wide range of varying functions



## General data

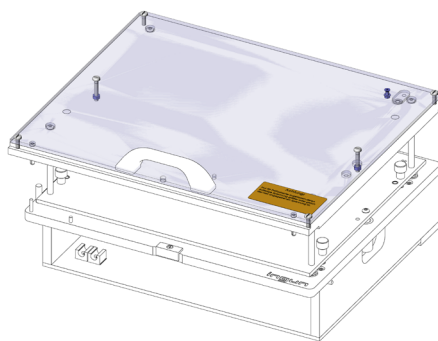
Product group:	Protective earth wiring / shock-proof protection
Series:	FB-AT SMAxx
Accessory type:	Additional function
Width:	350 mm [13.7 in]
Height:	4 mm [.157 in]
RoHS-compliant:	Yes

## Compatible with

Exchangeable kits version:	No RF
MA exchangeable kits (ATS MA):	ATS MA12

## Technical data

Length:	290 mm [11.4 in]
Outer dimensionS (WxDxH):	350 x 290 x 4 mm [13.7 x 11.4 x .157 in]



## INGUN Prüfmittelbau GmbH

Max-Stromeyer-Straße 162  
78467, Constance, Germany  
Phone +49 7531 8105-0  
Customer hotline +49 7531 8105-888  
Fax +49 7531 8105-65  
info@ingun.com



Prices and delivery times on request.  
Technical changes reserved. 05/26\_GB

Learn more about  
MA functional units



FUNCTIONAL UNIT

ingun.com