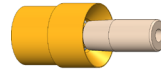




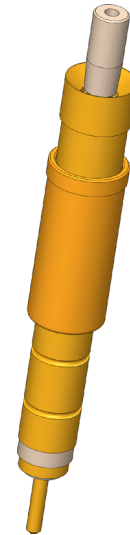
## Durchgangsprüfung

Zur Überprüfung von möglichen offenen Verbindungen und Kurzschlüssen bei koaxialen Steckverbindern

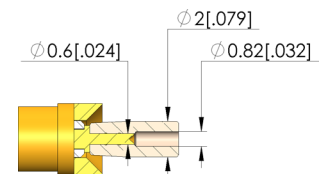
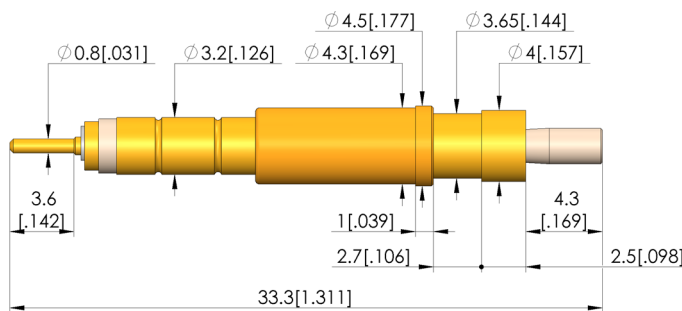
NEW



- Für die Kabelbaumprüfung



1:1





GO TO PRODUCT

### General data

Product group:	DPS dipole test probe
Series:	DPS-445
Sub-series:	DPS-445
Grid:	5 mm [196 mil]
DUT / contact:	FAKRA
Installation type:	Plug-in
DUT interface gender :	M signal conductor male / pin
Floating mount:	No
Non-rotating:	No
Continuous plunger:	Yes
KS sub-series:	KS-445, press-in version
Min. temperature:	-40 °C [-40 °F]
Max. temperature:	80 °C [176 °F]
RoHS-compliant:	Yes

### Outer conductor data

Outer conductor tip style:	43 centring for outer side of connector
Outer conductor tip style diameter:	4 mm [.157 in]
Spring force of entire outer conductor at working stroke:	4.5 N [16.1 ozf]
Outer conductor working stroke:	2 mm [.078 in]
Outer conductor maximum stroke:	2.6 mm [.102 in]
Exchangeable outer conductor:	No
Outer conductor max. current load capacity:	6 A

### Inner conductor data

Inner conductor tip style:	03 inverse cone
Inner conductor tip style diameter:	0.6 mm [.023 in]
Inner conductor tip style material:	2 steel
Inner conductor tip style surface:	A gold
Number of inner conductors:	1
Exchangeable inner conductor:	No
Inner conductor working stroke:	3 mm [.118 in]
Spring force of each inner conductor at working stroke:	2 N [7.19 ozf]
Inner conductor maximum stroke:	3.5 mm [.137 in]
Inner conductor max. current load capacity:	1.6 A

### Mechanical data

Total spring force at working stroke:	6.5 N [23.3 ozf]
Total length:	33.3 mm [1.31 in]
Barrel diameter:	4.3 mm [.169 in]
Installation height without receptacle:	10.5 mm [.413 in]

### INGUN Prüfmittelbau GmbH

Max-Stromeyer-Straße 162  
78467, Constance, Germany  
Phone +49 7531 8105-0  
Customer hotline +49 7531 8105-888  
Fax +49 7531 8105-65  
info@ingun.com



Learn more about  
Test probes

