

Actuator safety switch 2-stage FB-BT2-ATMA11/12/13/14

Item 47740

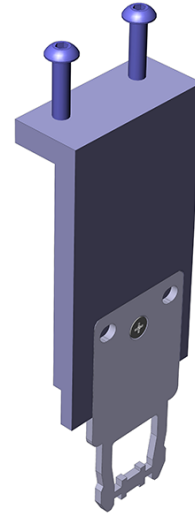


GO TO PRODUCT

ingun[®]

Partner for Future Technology

- Upgrade kits to make operation easier, increase the testing reliability, and to reduce handling times
- Available for manual test fixtures and exchangeable kits
- Wide range of varying functions



General data

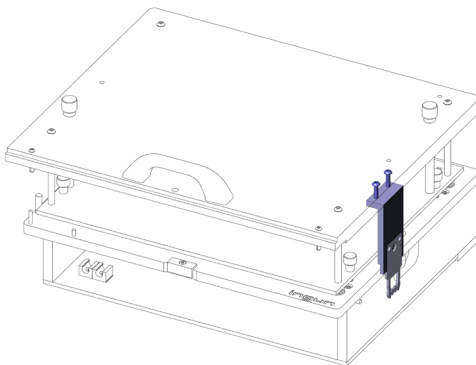
Product group:
Series:
Type:
Accessory type:
RoHS-compliant:

Safety switch / actuator
FB-ATMAxx
Dual-stage
Additional function
Yes

Compatible with

Exchangeable kits version:
For dual-stage contacting:

No RF
Yes



INGUN Prüfmittelbau GmbH

Max-Stromeyer-Straße 162
78467, Constance, Germany
Phone +49 7531 8105-0
Customer hotline +49 7531 8105-888
Fax +49 7531 8105-65
info@ingun.com



Prices and delivery times on request.
Technical changes reserved. 05/26_GB

Learn more about
MA functional units



FUNCTIONAL UNIT

ingun.com