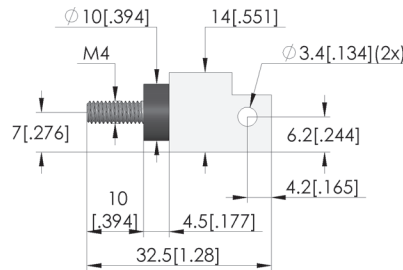
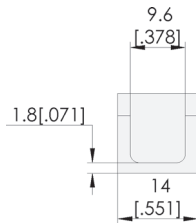
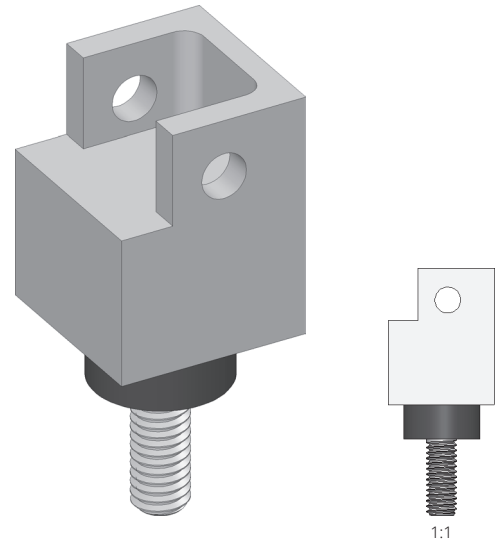




GO TO PRODUCT

- Aufnahmeschuh für 6-polige Prüfstecker Durchgangsprüfung
- Passend für Prüfstecker 17825, 17829, 21071



### General data

Product group:  
Series:  
Sub-series:  
Press ring:  
Surface area:  
Knurl:  
Vacuum-tight:  
RoHS-compliant:

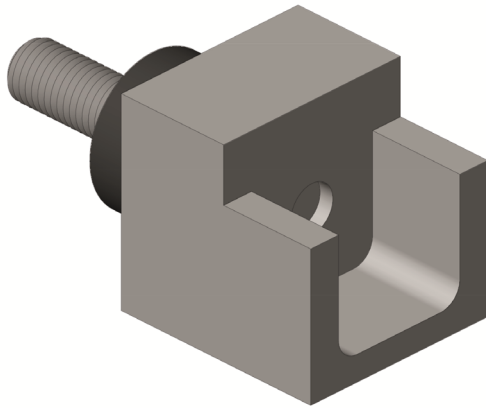
Test plug mounts (PSA)  
PS-PSA  
PSA-F9,6 flexible version  
No  
Unplated  
No  
No  
Yes

### Mechanical data

Total length: 32.5 mm [1.27 in]

### Mounting hole

Mounting hole in CEM1: 4 mm [.157 in]  
Mounting hole in FR4: 4 mm [.157 in]



**INGUN Prüfmittelbau GmbH**

Max-Stromeyer-Straße 162  
78467, Constance, Germany  
Phone +49 7531 8105-0  
Customer hotline +49 7531 8105-888  
Fax +49 7531 8105-65  
info@ingun.com



Learn more about  
**Test probes**

