

# Reinforcement set FB-VSL-KIT-KTE-ATSMA14

Item 46863



GO TO PRODUCT

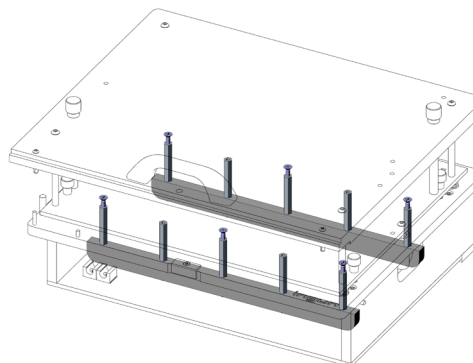
**ingun**<sup>®</sup>

Partner for Future Technology

- To be installed under the probe plate (KTP)
- Recommended for customisations with more than 300 test probes or a force greater than 500 N
- The scope of delivery includes one strip with fixing material in each case

## Application

For reinforcing the probe plate (KTP) to prevent deflection due to high forces resulting from customisation.



## General data

Product group:	Functional units
Series:	FB-ATSMAxx
Type:	Reinforcement bar for probe plate (KTP)
Version:	Set including installation accessories
Accessory type:	Additional function
Scope of delivery:	1 x reinforcement bar
Material:	1.0037, galvanised
Width:	10 mm [.393 in]
Height:	60 mm [2.36 in]
Min. temperature:	10 °C [50 °F]
Max. temperature:	60 °C [140 °F]
RoHS-compliant:	Yes

## Compatible with

Exchangeable kits version:	No RF
MA exchangeable kits (ATS MA):	ATS MA14

## Technical data

Length:	540 mm [21.2 in]
Outer dimensionS (WxDxH):	10 x 540 x 60 mm [.393 x 21.2 x 2.36 in]

## INGUN Prüfmittelbau GmbH

Max-Stromeyer-Straße 162  
78467, Constance, Germany  
Phone +49 7531 8105-0  
Customer hotline +49 7531 8105-888  
Fax +49 7531 8105-65  
info@ingun.com



Prices and delivery times on request.  
Technical changes reserved. 05/26\_GB

Learn more about  
MA functional units



FUNCTIONAL UNIT

ingun.com