

# Extended operating handle

## FB-VLK-MA32xx

Item 44831

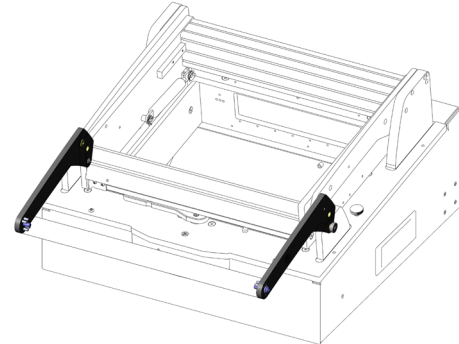


GO TO PRODUCT

**ingun**<sup>®</sup>

Partner for Future Technology

- Upgrade kits to make operation easier, increase the testing reliability, and to reduce handling times
- Available for manual test fixtures and exchangeable kits
- Wide range of varying functions



### General data

Product group:  
Series:  
Type:  
Version:  
Accessory type:  
Scope of delivery:  
Width:  
Height:  
RoHS-compliant:

Functional units  
FB-MAxxxx  
Set  
Extended latch  
Additional function  
2x latch  
257.6 mm [10.1 in]  
8 mm [.314 in]  
Yes

### Compatible with

Exchangeable kits version:  
Manual test fixtures (MA):

No limitations  
MA 32xx

### Technical data

Force:  
Length:  
Outer dimensionS (WxDxH):

47 N [169 ozf]  
80 mm [3.14 in]

257.6 x 80 x 8 mm [10.1 x 3.14 x .314 in]

### INGUN Prüfmittelbau GmbH

Max-Stromeyer-Straße 162  
78467, Constance, Germany  
Phone +49 7531 8105-0  
Customer hotline +49 7531 8105-888  
Fax +49 7531 8105-65  
info@ingun.com



Prices and delivery times on request.  
Technical changes reserved. 05/26\_GB

Learn more about  
MA functional units

