

RF absorber mat

HF-A-2,4GHz-ATSMA12/HF/AL

Item 112710



GO TO PRODUCT

ingun®

Partner for Future Technology

- RF absorber for radio-frequency exchangeable kit for setting up an interference-free, internal radio network
- Reliable prevention of unwanted reflections of radio signals within the radio-frequency chamber

Application

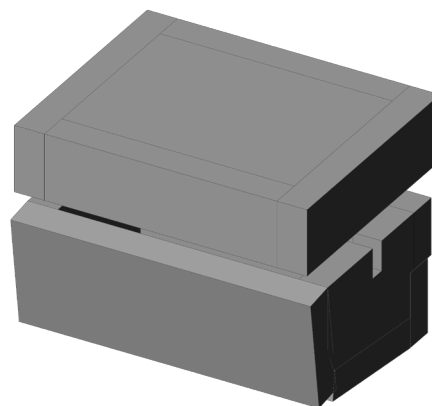
RF absorbers are used to cover the inner walls of the radio-frequency exchangeable kit in order to create an interference-free radio network and prevent reflections of radio signals within the RF chamber. The RF absorber is selected based on the frequency used and the size of the exchangeable kit.

Note:

Refer to the customising guidelines document INFO 4585 to ensure correct installation of the RF absorber.

Note:

RF absorbers have a conductive (light grey) and a non-conductive (anthracite) surface. During installation, ensure that the light grey side faces the RF DUT and the anthracite side faces the RF chamber.



Note:

Exchangeable kits customised with RF absorbers, the usable areas and the maximum permitted component height of the PCB are reduced.

General data

Product group:	RF accessories
Series:	HF-A
Type:	RF absorber set
Version:	RF exchangeable kit ATS MA12/HF
Accessory type:	Customising accessories
Scope of delivery:	Unassembled
Material:	RF plastic foam
Weight:	0.46 kg [1.01 lbs]
Min. temperature:	10 °C [50 °F]
Max. temperature:	60 °C [140 °F]
RoHS-compliant:	Yes

Compatible with

Exchangeable kits version:	HF, ESD
MA exchangeable kits (ATS MA):	ATS MA12(/S-7)/HF/AL/ESD

Technical data

Free space above PCB:	30 mm [1.18 in]
Frequency up to:	2.4 GHz
Useable area (WxD):	220 x 135 mm [8.66 x 5.31 in]
Outer dimensionS (WxDxH):	289 x 222 x 195 mm [11.3 x 8.74 x 7.67 in]

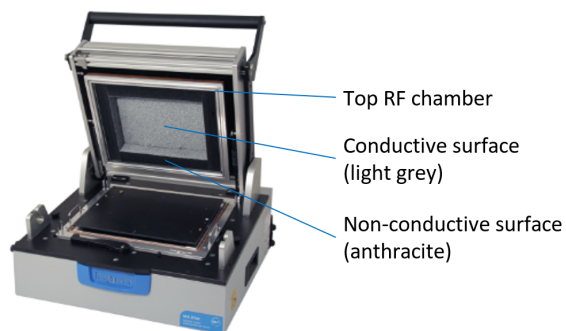
RF absorber mat HF-A-2,4GHz-AT SMA12/HF/AL

Item 112710



ingun[®]

Partner for Future Technology



Radio-frequency exchangeable kits

Part no.	Designation	Version
154012	ATS MA12/HF/AL/ESD	Radio-frequency exchangeable kit without internal interface
154112	ATS MA12/S-7/HF/AL/ESD	Radio-frequency exchangeable kit with internal interface

INGUN Prüfmittelbau GmbH

Max-Stromeyer-Straße 162
78467, Constance, Germany
Phone +49 7531 8105-0
Customer hotline +49 7531 8105-888
Fax +49 7531 8105-65
info@ingun.com



Prices and delivery times on request.
Technical changes reserved. 05/26_GB