

# Actuator safety switch 2-stage

## FB-BT2-AT SMA09

Item 103273

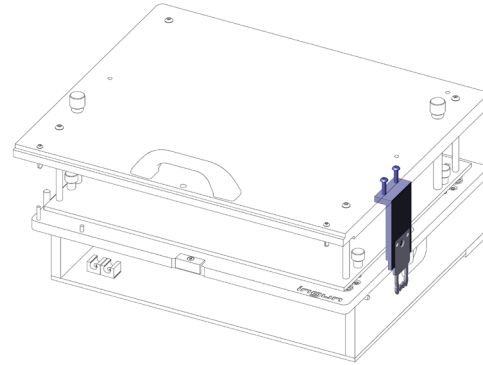


GO TO PRODUCT

**ingun**<sup>®</sup>

Partner for Future Technology

- Upgrade kits to make operation easier, increase the testing reliability, and to reduce handling times
- Available for manual test fixtures and exchangeable kits
- Wide range of varying functions



### General data

Product group:

Series:

Type:

Accessory type:

Safety switch / actuator

FB-AT SMAxx

Dual-stage

Additional function

### Compatible with

Exchangeable kits version:

For dual-stage contacting:

No RF

Yes

### INGUN Prüfmittelbau GmbH

Max-Stromeyer-Straße 162

78467, Constance, Germany

Phone +49 7531 8105-0

Customer hotline +49 7531 8105-888

Fax +49 7531 8105-65

info@ingun.com



Prices and delivery times on request.  
Technical changes reserved. 06/26\_GB

Learn more about  
MA functional units



FUNCTIONAL UNIT

ingun.com