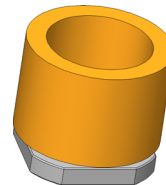


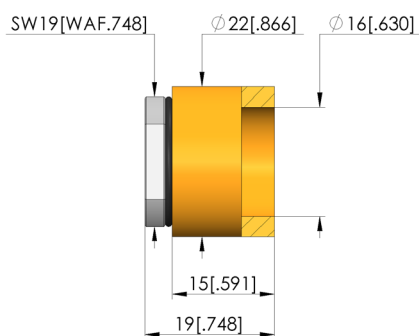


- Reduction of high-frequency noise emissions of pneumatic board marker probes
- Reduction of noise emissions by approximately 7dB
- Incl. sealing ring and lock nut
- Montaje rápido y sencillo



Utilización

A silencer is available for the pneumatic board marker probes (ME-P-...). Using the silencer reduces high-frequency noise emissions by approx. 7 dB at a compressed air supply pressure of 0.6 MPa. It may be necessary to readjust the recommended working stroke by approx. 0.2 to 0.3 mm.



Datos generales

Grupo de productos:	Accesorios neumáticos
Serie:	SD
Tipo:	Silenciadores
Modelo:	ME-P
Tipo de accesorios:	Accesorios customizados
Estado de entrega:	Sin montar, incl. piezas de montaje
Altura:	15 mm
Peso:	0,02 kg
Temperatura mín.:	10 °C
Temperatura máx.:	60 °C
Conforme RoHS:	Sí

Compatible con

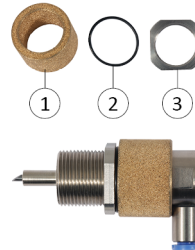
Unidades de marcado (ME):

ME-P-xx,x-xx-xxx-xxx

Datos técnicos

Montaje:
Diámetro:

Rosca M16 X 1
22 mm



- 1) Sinter bushing
- 2) O-ring
- 3) Lock nut

- Assembly example

Board marker probes

Part no.	Designation	Version
25241	ME-P-S2,0-16-054-QS4	Pneumatic board marker probe with cutting engraver
29483	ME-P-F1,0-16-054-QS4	Pneumatic board marker probe with milling engraver

INGUN Prüfmittelbau GmbH

Max-Stromeyer-Straße 162
 78467, Constance, Germany
 Phone +49 7531 8105-0
 Customer hotline +49 7531 8105-888
 Fax +49 7531 8105-65
 info@ingun.com

