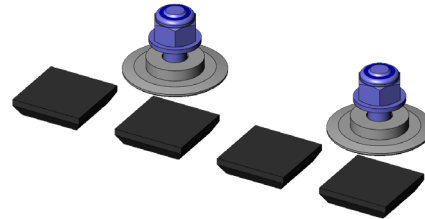




- Secure hold of the test fixture on the base plate of the Pylon receiver
- Protection against lifting of the front of the test fixture during locking
- The receiver must be equipped with the receiver fixing mechanism.

Application

The functional unit is used to securely fix the test fixture to the base plate of the Pylon receiver and serves as protection against the front of the test fixture lifting while locked.



General data

Product group:	Locking units
Series:	FB-RC
Type:	Receiver/test fixture fixing mechanism
Version:	Test fixtures
Accessory type:	Additional function
Scope of delivery:	Must be installed upon delivery, installation
accessories included	
Material:	1.2842
Height:	3 mm [.118 in]
Weight:	0.01 kg [.022 lbs]
Min. temperature:	10 °C [50 °F]
Max. temperature:	60 °C [140 °F]
RoHS-compliant:	Yes

Compatible with

Manual test fixtures (MA):	MA xxxx
Vacuum test fixtures (VA):	VA 40xx

Technical data

Installation:	Bore D = 4.5 mm
Diameter:	18 mm [.708 in]

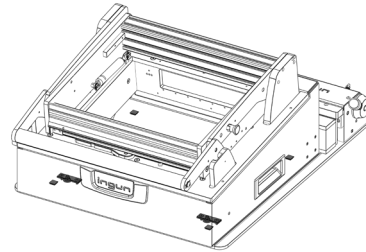
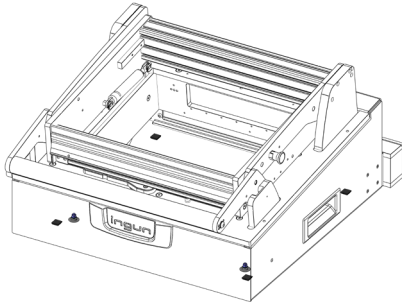
FB-VER-F-M-MA/VA FB-VER-F-M-MA/VA

Item 116150



ingun[®]

Partner for Future Technology



Accessories

Part no.	Designation	Version
116130	FB-VER-F-M-RC	Fixation receiver

INGUN Prüfmittelbau GmbH

Max-Stromeyer-Straße 162
78467, Constance, Germany
Phone +49 7531 8105-0
Customer hotline +49 7531 8105-888
Fax +49 7531 8105-65
info@ingun.com



Prices and delivery times on request.
Technical changes reserved. 05/26_GB

Learn more about
Test fixture kits

