

Exchangeable kit

ATS MA09/S-5/ESD

Item 46233-KIT

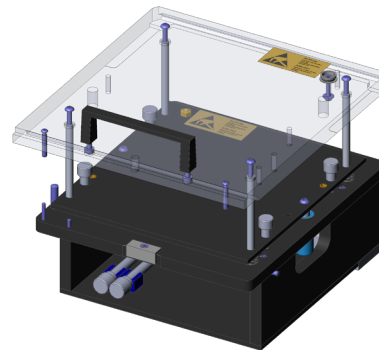


GO TO PRODUCT

ingun[®]

Partner for Future Technology

- Quick, tool-free set-up, can be used without readjustment
- Available in standard, ESD, and RF versions, with or without internal interface
- Modularly configurable signal transmission with internal interfaces
- Pressure plate unit and probe plate unit can be screwed together with stacking screws to form a unit with protected probe field
- Robust, durable design
- Can be customised using functional units for individual configurations
- Detailed accompanying documents (e.g., customising guidelines)



General data

| | |
|---------------------------------|--|
| Product group: | ATS manual test fixture (MA) |
| Subseries: | ATS MAxx |
| Series: | ATS MA09 |
| Version: | ESD with interface |
| Scope of delivery: | Unassembled |
| For tandem fixtures: | No |
| Max. interface signals: | 5 |
| Interface blocks required: | Device under test (DUT) side |
| Max. internal interface blocks: | 5 |
| Internal interface: | Available |
| Dual-stage contacting: | Yes, with compatible additional option |
| Double-sided contact: | Yes, with compatible additional option |
| Weight: | 2.75 kg [6.06 lbs] |
| Min. temperature: | 10 °C [50 °F] |
| Max. temperature: | 60 °C [140 °F] |
| Low voltage: | Yes, with suitable additional option |
| RoHS-compliant: | Yes |

Compatible with

| | |
|----------------------------|---------|
| Manual test fixtures (MA): | MA x209 |
|----------------------------|---------|

Technical data

| | |
|---|--|
| Pushrod length: | 60 mm [2.36 in] |
| Test probe installation height, top: | 16 mm [.629 in] |
| Test probe installation height, bottom: | 10.5 mm [.413 in] |
| Test probe installation height, dual-stage, bottom: | 16 mm [.629 in] |
| Free space above PCB: | 58 mm [2.28 in] |
| Useable area (WxD): | 150 x 170 mm [5.9 x 6.69 in] |
| Outer dimensionS (WxDxH): | 210 x 243 x 203 mm [8.26 x 9.56 x 7.99 in] |

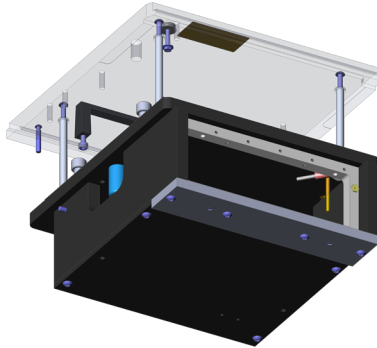
Exchangeable kit ATS MA09/S-5/ESD

Item 46233-KIT



ingun[®]

Partner for Future Technology



INGUN Prüfmittelbau GmbH

Max-Stromeyer-Straße 162
78467, Constance, Germany
Phone +49 7531 8105-0
Customer hotline +49 7531 8105-888
Fax +49 7531 8105-65
info@ingun.com



Prices and delivery times on request.
Technical changes reserved. 06/26_GB

Learn more about
MA exchangeable kits



[ingun.com](https://www.ingun.com)

EXCHANGEABLE KITS