

Test plug

PS-RJ12-M-006-M3-B

Item 53767



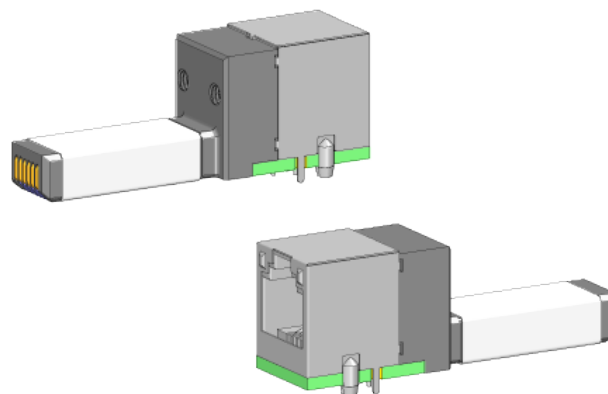
GO TO PRODUCT

ingun[®]

Partner for Future Technology

- Precise, low-wear contacting of RJ plug connectors
- Outstanding service life: up to 250,000 cycles under optimal conditions.
- Signal transmission via original connector plug
- Optional: Installation via floating mount
- Compatible test plug mount 115788, 115790, 115792, 115794

INGUN SELECTION



General data

Product group:	PS test plug
Series:	PS
Sub-series:	PS-RJ
Grid:	16 mm [629 mil]
DUT / contact:	RJ-12
DUT interface gender :	F signal conductor female / socket
Floating mount:	No
KS sub-series:	PSA-F16,5-RJxx
Width:	14.2 mm [.559 in]
Height:	17.8 mm [.7 in]
Min. temperature:	0 °C [32 °F]
Max. temperature:	80 °C [176 °F]
RoHS-compliant:	Yes

Inner conductor data

Number of inner conductor poles: 6

Electrical data

Frequency range up to: 1 GHz
Impedance: 100 Ohm
Max. data rate: 1 Gbit/s

Mechanical data

Total length: 46 mm [1.81 in]

Test plug

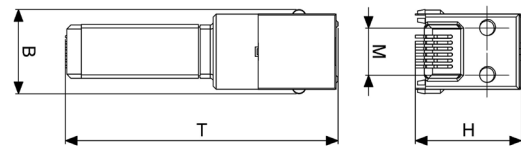
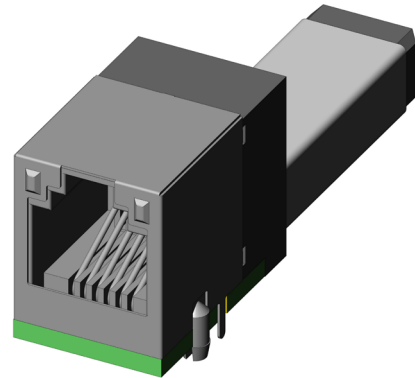
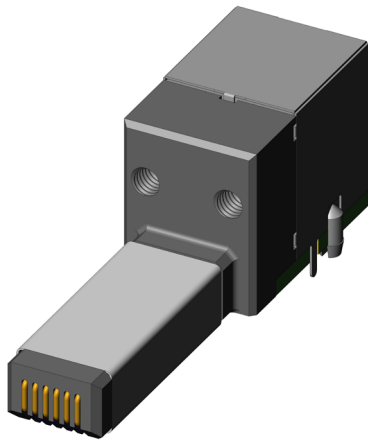
PS-RJ12-M-006-M3-B

Item 53767



ingun[®]

Partner for Future Technology



INGUN Prüfmittelbau GmbH

Max-Stromeyer-Straße 162
78467, Constance, Germany
Phone +49 7531 8105-0
Customer hotline +49 7531 8105-888
Fax +49 7531 8105-65
info@ingun.com



Prices and delivery times on request.
Technical changes reserved. 05/26_GB

Learn more about
Test probes

