

Safety switch

FB-SIS-BM-MA2x09/11/13T

Item 41560

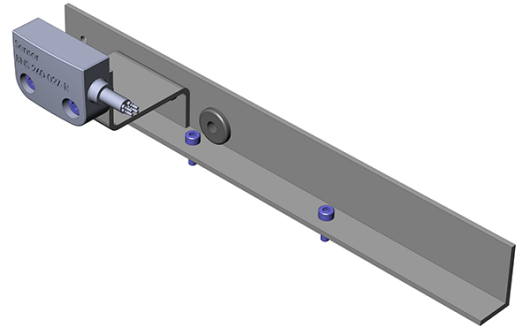


GO TO PRODUCT

ingun[®]

Partner for Future Technology

- Safety switch for locking the closed pressure frames
- Easy installation on MA xxxx basic unit
- Cable cross-section 0.25 mm²
- Actuator (part 41552) is available separately



General data

Product group:
Series:
Type:
Version:
Accessory type:
Scope of delivery:
Material:
Width:
Height:
Min. temperature:
Max. temperature:
RoHS-compliant:

Safety switch / actuator
FB-MAxxxx
Safety switch
Magnetic
Additional function
Unassembled
PVC (cable)
69 mm [2.71 in]
51 mm [2 in]
-25 °C [-13 °F]
70 °C [158 °F]
Yes

Compatible with

Exchangeable kits version:

No limitations

Technical data

Connection:
Length:
Cable length:
Outer dimensionS (WxDxH):

Cable
210 mm [8.26 in]
1000 mm [39.3 in]
69 x 210 x 51 mm [2.71 x 8.26 x 2 in]

Safety switch

FB-SIS-BM-MA2x09/11/13T

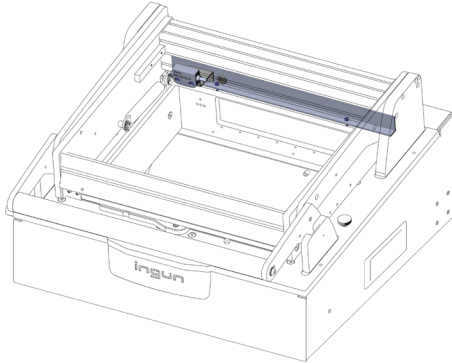
Item 41560



GO TO PRODUCT

ingun[®]

Partner for Future Technology



INGUN Prüfmittelbau GmbH

Max-Stromeyer-Straße 162
78467, Constance, Germany
Phone +49 7531 8105-0
Customer hotline +49 7531 8105-888
Fax +49 7531 8105-65
info@ingun.com



Prices and delivery times on request.
Technical changes reserved. 05/26_GB

Learn more about
MA functional units



FUNCTIONAL UNIT

ingun.com