

Battery contacting probe

BCP-694 360 1250 A 45004-53

Item BCP-694-0002

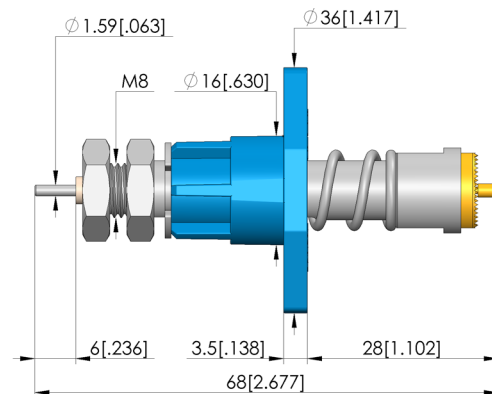
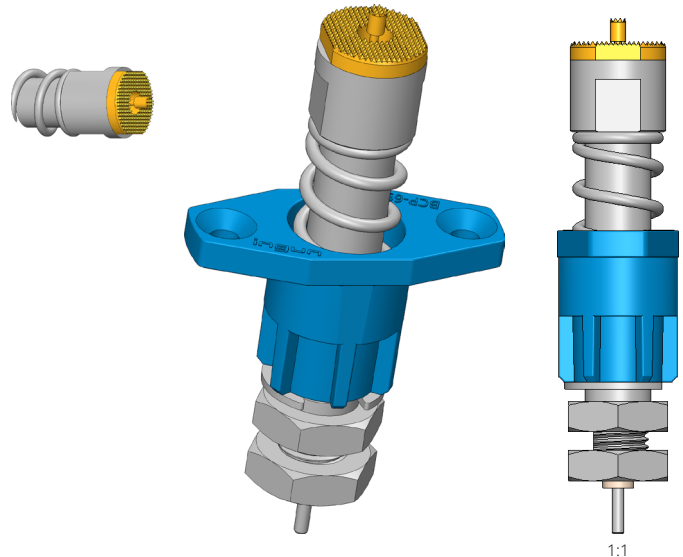


GO TO PRODUCT

ingun[®]

Partner for Future Technology

- Contacting solution for cylindrical cells (46xx) and prismatic as well blade cells, Battery Modules and -Packs
- Current rating upto 80 A on Al DUT with temperaturer rise $dT \leq 20 \text{ K}$; max. current rating of 240 A on high conducting materials like copper alloys
- Designed for a range of cell contacting applications such as Formation, Charging and DC-IR measurement
- Continuous plunger system with minimal resistance R typical $< 2 \text{ m}\Omega$
- Simple flange mounting with flexible cable connection
- Dipole Design provided with measuring contact for precise voltage measurements
- Easy connection of the voltage sensor: both soldering and cable lug installation possible



General data

Product group:	Dipole BCP / 4-wire clamp
Sub-product group:	Dipole BCP / 4-wire clamp
Series:	BCP-694
Application rec.:	
Grid:	17 mm [669 mil]
DUT / contact:	
Magnetic:	Yes
Installation type:	Flange
Quick-exchange system:	No
Type of test probe connection:	Thread connection
Adjustable installation height:	No
Non-rotating:	Yes
Continuous plunger:	M 8 x 10,5
Min. temperature:	-40 °C [-40 °F]
Max. temperature:	80 °C [176 °F]
RoHS-compliant:	Yes

Tip style data

Tip style:	60 serrated, small grid
Tip diameter:	12.5 mm [.492 in]
Tip style surface:	A gold
Tip style material:	3 CuBe

Electrical data

Current load capacity / rated current:	240 A
Rated current on copper @ $\Delta T \leq 20 \text{ K}$:	140 A
Rated current on copper @ $\Delta T \leq 60 \text{ K}$:	240 A
Rated current on aluminium @ $\Delta T \leq 20 \text{ K}$:	80 A
Rated current on aluminium @ $\Delta T \leq 60 \text{ K}$:	140 A
Typical resistance (Ri):	.5 mOhm

Mechanical data

Total length:	68 mm [2.67 in]
Barrel diameter:	16 mm [.629 in]
Maximum stroke:	7 mm [.275 in]
Spring pre-load:	22.75 N [81.8 ozf]
Collar height:	04
Spring force at working stroke:	45 N [161 ozf]
Recommended working stroke:	4.4 mm [.173 in]

Battery contacting probe

BCP-694 360 1250 A 45004-53

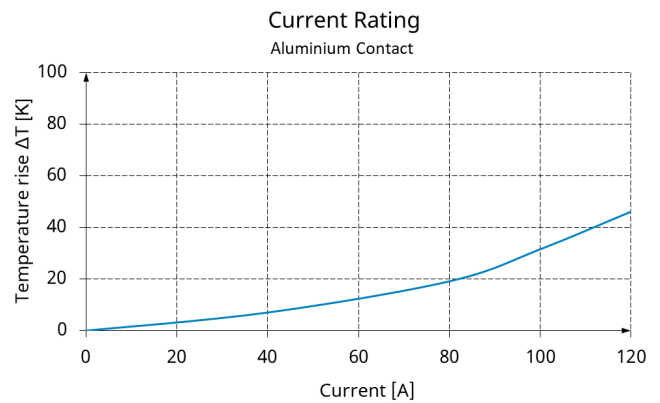
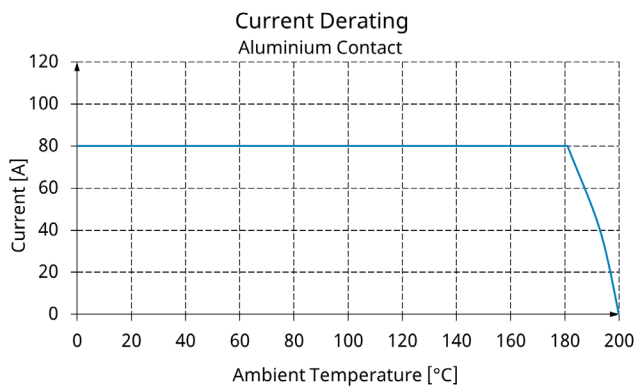
Item BCP-694-0002



GO TO PRODUCT

ingun[®]

Partner for Future Technology



Cable plug assemblies

Part no. EN	Designation	Tip version EN
SE-AWG20-0002	SE-AWG20-2-BU01660-100	cable assembly
SE-AWG08-0002	SE-AWG08-6-AN0003-100-AN0004-3	cable assembly

INGUN Prüfmittelbau GmbH

Max-Stromeyer-Straße 162
78467, Constance, Germany
Phone +49 7531 8105-0
Customer hotline +49 7531 8105-888
Fax +49 7531 8105-65
info@ingun.com



Prices and delivery times on request.
Technical changes reserved. 06/26_GB

Learn more about
Test probes

