

Battery contacting probe

BCP-694 360 1400 A 60004-00

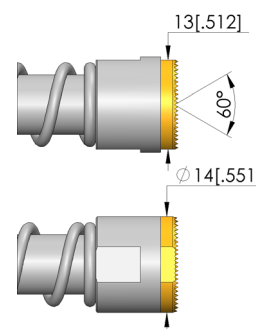
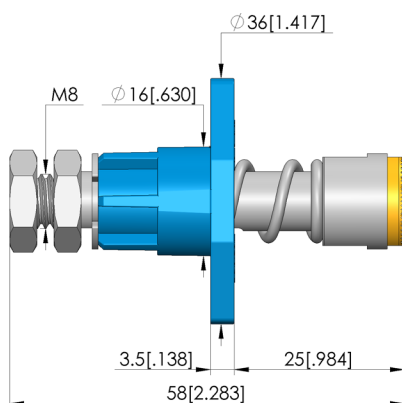
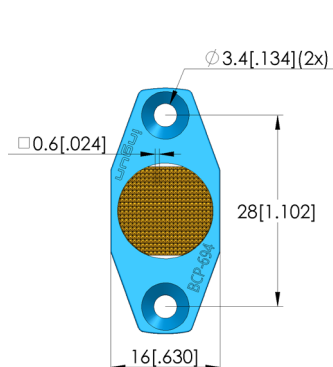
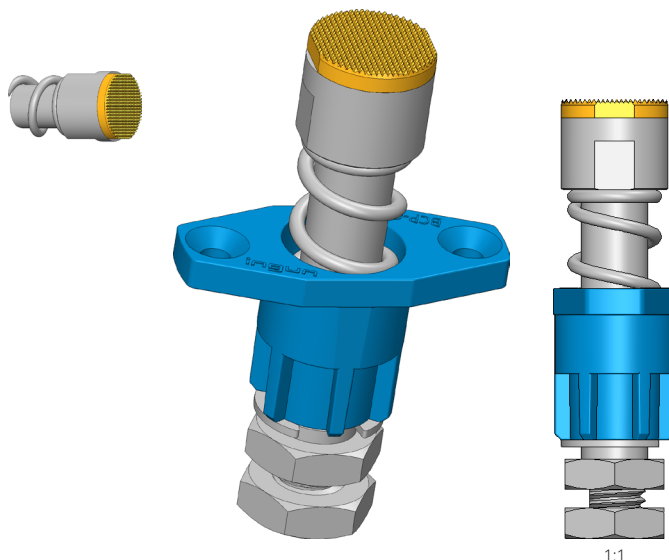
Item BCP-694-0004

GO TO PRODUCT

ingun[®]

Partner for Future Technology

- Contacting solution for cylindrical cells (46xx) and prismatic as well blade cells, Battery Modules and -Packs
- Current rating upto 100 A on Al DUT with temperaturer rise $dT \leq 20$ K ; max. current rating of 260 A on high conducting materials like copper alloys
- Designed for a range of cell contacting applications such as Formation and Charging
- Continuous plunger system with minimal resistance R typical < 3 m Ω
- Simple flange mounting with flexible cable connection
- High current probe with light weight design to reduce over-all system weight



General data

Product group:	Dipole BCP / 4-wire clamp
Sub-product group:	Dipole BCP / 4-wire clamp
Series:	BCP-694
Application rec.:	
Grid:	17 mm [669 mil]
DUT / contact:	
Magnetic:	Yes
Installation type:	Flange
Quick-exchange system:	No
Type of test probe connection:	Thread connection
Adjustable installation height:	No
Non-rotating:	Yes
Continuous plunger:	M 8 x 10,5
Min. temperature:	-40 °C [-40 °F]
Max. temperature:	80 °C [176 °F]
RoHS-compliant:	Yes

Electrical data

Current load capacity / rated current:	260 A
Rated current on copper @ $\Delta T \leq 20$ K:	160 A
Rated current on copper @ $\Delta T \leq 60$ K:	260 A
Rated current on aluminium @ $\Delta T \leq 20$ K:	100 A
Rated current on aluminium @ $\Delta T \leq 60$ K:	180 A
Typical resistance (Ri):	

Mechanical data

Total length:	58 mm [2.28 in]
Barrel diameter:	16 mm [6.29 in]
Maximum stroke:	7 mm [2.75 in]
Spring pre-load:	30.34 N [109 ozf]
Collar height:	04
Spring force at working stroke:	60 N [215 ozf]
Recommended working stroke:	4.4 mm [1.73 in]

Tip style data

Tip style:	60 serrated, small grid
Tip diameter:	14 mm [.551 in]
Tip style surface:	A gold
Tip style material:	3 CuBe

Battery contacting probe

BCP-694 360 1400 A 60004-00

Item BCP-694-0004

[GO TO PRODUCT](#)

ingun[®]

Partner for Future Technology

Cable plug assemblies

Part no. EN	Designation	Tip version EN
SE-AWG08-0002	SE-AWG08-6-AN0003-100-AN0004-3	cable assembly

INGUN Prüfmittelbau GmbH

Max-Stromeyer-Straße 162
78467, Constance, Germany
Phone +49 7531 8105-0
Customer hotline +49 7531 8105-888
Fax +49 7531 8105-65
info@ingun.com



Prices and delivery times on request.
Technical changes reserved. 06/26_GB

Learn more about
Test probes

