

Spare part kit, gas spring

ETK-GDF-300N-MAxxxx

Item 39300

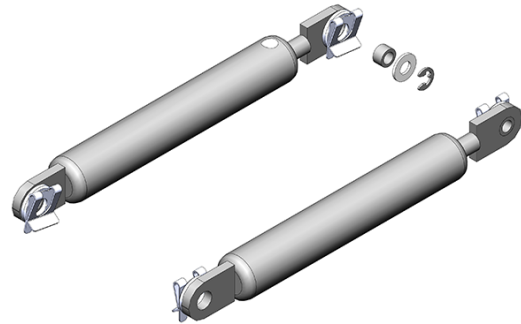


GO TO PRODUCT

ingun[®]

Partner for Future Technology

- Set of shock-absorbing and standard gas spring, incl. customising accessories
- Shock-absorbing gas spring is marked with a white dot and should be mounted on the left side of the test fixture
- Easy replacement by operators on site



General data

Product group:
Series:
Type:
Version:
Accessory type:

Spare part kits
ETK-MAxxxx
Set
MA xx12
Spare parts

Compatible with

Exchangeable kits version:
Manual test fixtures (MA):

No limitations
MA xx12

Technical data

Stroke:
Force:
Length:

60 mm [2.36 in]
300 N [1,079 ozf]
185 mm [7.28 in]

INGUN Prüfmittelbau GmbH

Max-Stromeyer-Straße 162
78467, Constance, Germany
Phone +49 7531 8105-0
Customer hotline +49 7531 8105-888
Fax +49 7531 8105-65
info@ingun.com



Prices and delivery times on request.
Technical changes reserved. 06/26_GB

Learn more about
Test fixture kits

