

# Detection - closed

## FB-ABF-G-GKS-ATSMAXx

Item 46396

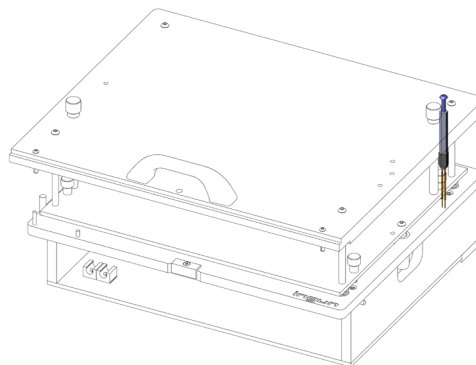


GO TO PRODUCT

**ingun**<sup>®</sup>

Partner for Future Technology

- Upgrade kits to make operation easier, increase the testing reliability, and to reduce handling times
- Available for manual test fixtures and exchangeable kits
- Wide range of varying functions



### General data

Product group:  
Series:  
Type:  
Version:  
Accessory type:  
Scope of delivery:  
Width:  
RoHS-compliant:

Functional units  
FB-ATSMAXx  
Pressure frame unit closed  
Detection unit  
Additional function  
Actuator incl. GKS-100-0048  
9.3 mm [.366 in]  
Yes

### Compatible with

Exchangeable kits version:  
MA exchangeable kits (ATS MA):

No limitations  
ATS MAXx

### Technical data

Length:

61 mm [2.4 in]

### INGUN Prüfmittelbau GmbH

Max-Stromeyer-Straße 162  
78467, Constance, Germany  
Phone +49 7531 8105-0  
Customer hotline +49 7531 8105-888  
Fax +49 7531 8105-65  
info@ingun.com



Prices and delivery times on request.  
Technical changes reserved. 05/26\_GB

Learn more about  
MA functional units

