

Oil break FB-OLB-MAxxxx

Item 51770

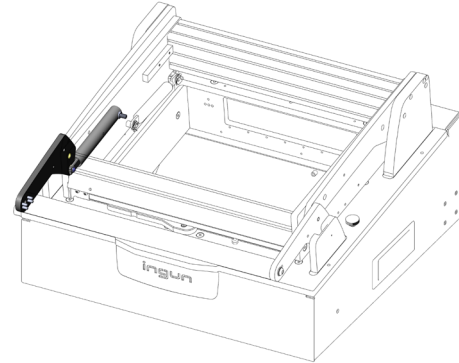


GO TO PRODUCT

ingun[®]

Partner for Future Technology

- Upgrade kits to make operation easier, increase the testing reliability, and to reduce handling times
- Available for manual test fixtures and exchangeable kits
- Wide range of varying functions



General data

Product group:
Series:
Type:
Version:
Accessory type:
Scope of delivery:
RoHS-compliant:

Oil break
FB-MAxxxx
Shock-absorbing
MA xxxx
Customising accessories
Partially assembled
Yes

Compatible with

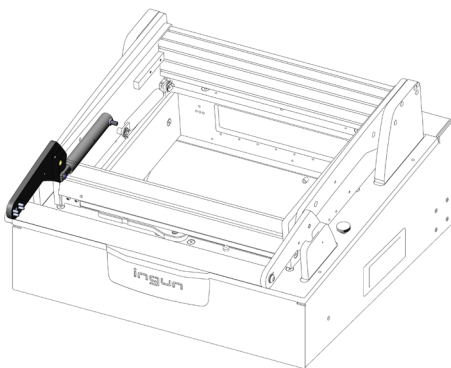
Exchangeable kits version:
Manual test fixtures (MA):

No limitations
MA xxxx

Technical data

Stroke:
Force:

40 mm [1.57 in]
128 N [460 ozf]



INGUN Prüfmittelbau GmbH

Max-Stromeyer-Straße 162
78467, Constance, Germany
Phone +49 7531 8105-0
Customer hotline +49 7531 8105-888
Fax +49 7531 8105-65
info@ingun.com



Prices and delivery times on request.
Technical changes reserved. 05/26_GB

Learn more about
MA functional units



FUNCTIONAL UNIT

ingun.com