

Desk housing PGH MA13/TDS

Item 114913



GO TO PRODUCT

ingun[®]

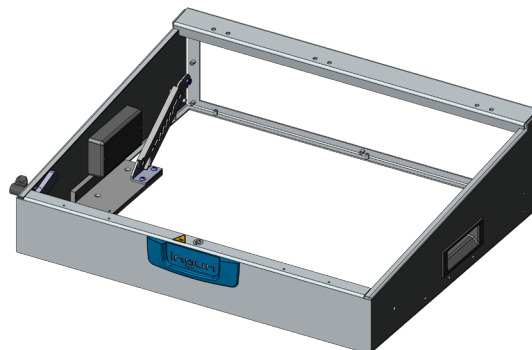
Partner for Future Technology

Application

Desk housing for vacuum test fixtures MA xxxx for modular test fixture configuration.

Version

Open base, without rear panel



General data

| | |
|--------------------|--|
| Product group: | Housing |
| Series: | PGH-MAxxxx |
| Type: | MA xx13 |
| Version: | Desk housing with KSG, TDS, without base plate |
| Accessory type: | Additional function |
| Scope of delivery: | Unassembled |
| Material: | 3.3535 |
| Width: | 648 mm [25.5 in] |
| Height: | 170 mm [6.69 in] |
| Weight: | 2.6 kg [5.73 lbs] |
| Min. temperature: | 10 °C [50 °F] |
| Max. temperature: | 60 °C [140 °F] |
| RoHS-compliant: | Yes |

Compatible with

Manual test fixtures (MA):

MA xx13

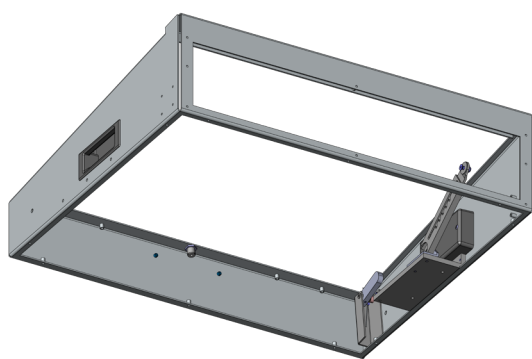
Technical data

Length:

521 mm [20.5 in]

Outer dimensionS (WxDxH):

648 x 521 x 170 (98) mm



INGUN Prüfmittelbau GmbH

Max-Stromeyer-Straße 162
78467, Constance, Germany
Phone +49 7531 8105-0
Customer hotline +49 7531 8105-888
Fax +49 7531 8105-65
info@ingun.com



Prices and delivery times on request.
Technical changes reserved. 05/26_GB

Learn more about
Test fixture kits

