

vacuum cover

VKH-430-360-75-15-ESD

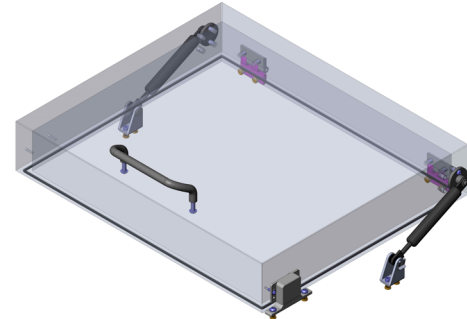
Item 19252



GO TO PRODUCT

ingun®

Partner for Future Technology



General data

Product group:
Series:
Type:
Version:
Accessory type:
Scope of delivery:
Width:
Height:
Weight:
Min. temperature:
Max. temperature:
RoHS-compliant:

Mounted units
VKH-VAxxxx
Vacuum cover
ESD
Additional function
Unassembled
430 mm [16.9 in]
75 mm [2.95 in]
5.5 kg [12.1 lbs]
10 °C [50 °F]
60 °C [140 °F]
Yes

Compatible with

Vacuum test fixtures (VA): 4060

Technical data

Stroke: 60 mm [2.36 in]
Force: 75 N [269 ozf]
Pushrod length: 55.6 mm [2.18 in]
Free space above PCB: 54 mm [2.12 in]
Snap-on fastener retention force: 13 N [46.7 ozf]
Pressure frame opening angle: 85 °
Bearing distance: 400 x 330 x 60 mm [15.7 x 12.9 x 2.36 in]
Useable area (WxD): 390 x 290 mm [15.3 x 11.4 in]
Length: 360 mm [14.1 in]
Outer dimensionS (WxDxH): 430 x 360 x 75 mm [16.9 x 14.1 x 2.95 in]

INGUN Prüfmittelbau GmbH

Max-Stromeyer-Straße 162
78467, Constance, Germany
Phone +49 7531 8105-0
Customer hotline +49 7531 8105-888
Fax +49 7531 8105-65
info@ingun.com



Prices and delivery times on request.
Technical changes reserved. 05/26_GB

Learn more about
Test fixture kits

