

Test plug PS-HDMID-M-019-G5-B-03

Item 115525



GO TO PRODUCT

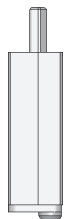
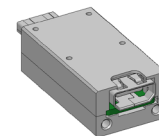
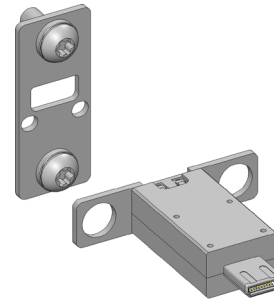
ingun[®]

Partner for Future Technology

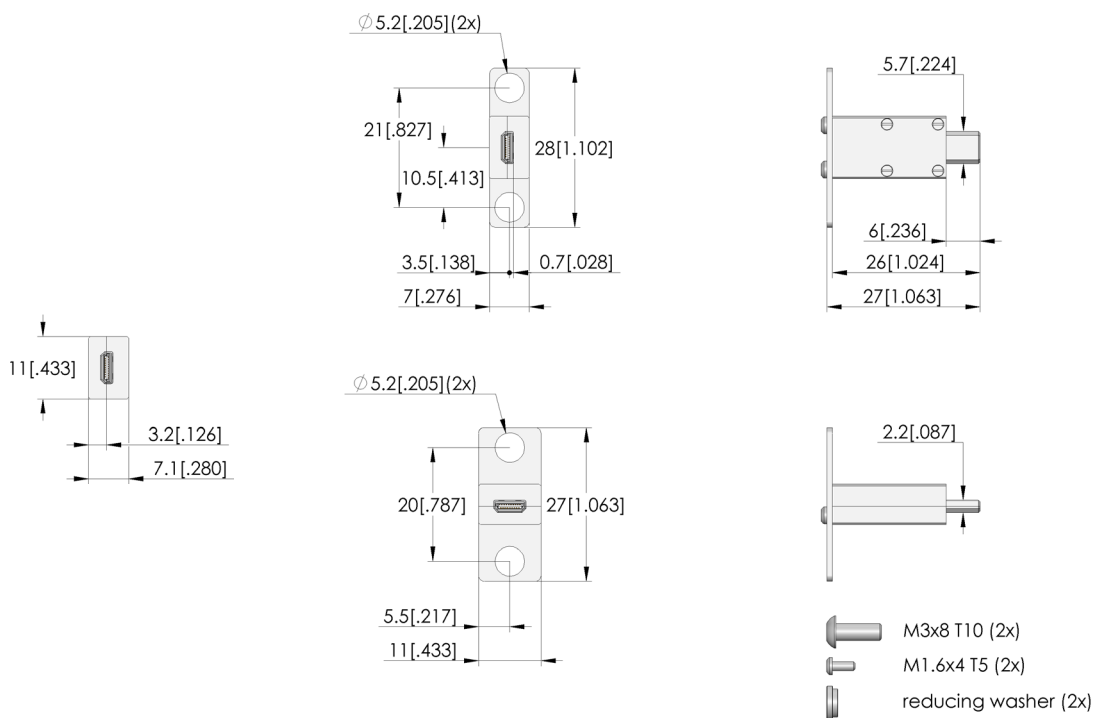
- Precise, low-wear contacting of HDMI-D sockets
- Signal transmission via original connector plug up to 18.0 Gbit/s (HDMI 2.0)
- Outstanding service life, up to 100,000 cycles under optimal conditions.
- Optional spring elements (104148: set of 2) can compensate for tolerances of ± 0.3 mm and positioning inaccuracies of 2° .

INGUN SELECTION

NEW



1:1





GO TO PRODUCT

General data

Product group:	PS test plug
Series:	PS-HDMI
Sub-series:	PS-HDMI
DUT / contact:	HDMI-D
Installation type:	Flange
DUT interface gender :	F signal conductor female / socket
Non-rotating:	Yes
Interface of compatible assembly:	HDMI-D micro HDMI connector
Compatible assembly interface gender :	M signal conductor male / pin
Width:	11 mm [.433 in]
Height:	7.1 mm [.279 in]
Min. temperature:	-40 °C [-40 °F]
Max. temperature:	80 °C [176 °F]
RoHS-compliant:	Yes

Inner conductor data

Number of inner conductor poles:	19
----------------------------------	----

Electrical data

Max. data rate:	18 Gbit/s
-----------------	-----------

Mechanical data

Total length:	26.8 mm [1.05 in]
Installation height without receptacle:	27 mm [1.06 in]



Test plug

PS-HDMID-M-019-G5-B-03

Item 115525



GO TO PRODUCT

ingun[®]

Partner for Future Technology

INGUN Prüfmittelbau GmbH

Max-Stromeyer-Straße 162
78467, Constance, Germany
Phone +49 7531 8105-0
Customer hotline +49 7531 8105-888
Fax +49 7531 8105-65
info@ingun.com



Prices and delivery times on request.
Technical changes reserved. 06/26_GB

Learn more about
Test probes

