

Detection - contacted FB-ABF-K-HMK-VAxxxx-2S

Item 3409



GO TO PRODUCT

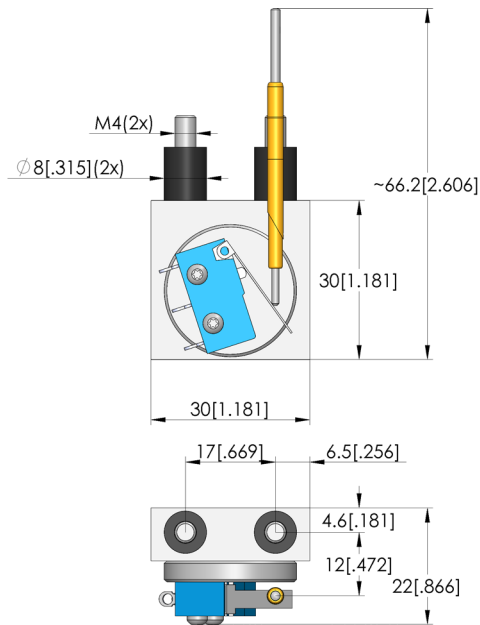
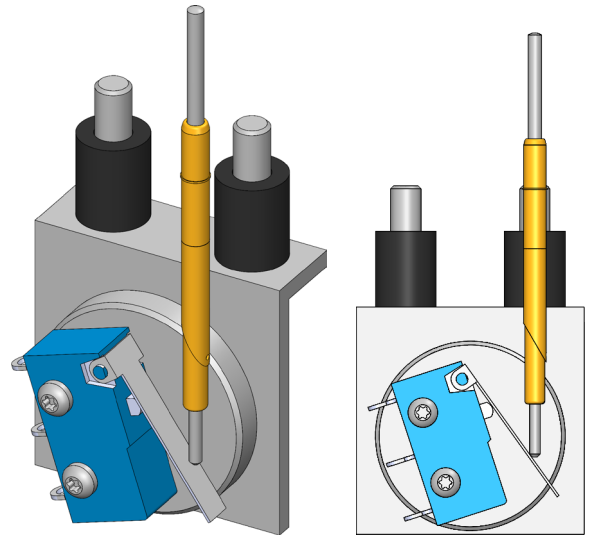
ingun®

Partner for Future Technology

- Detection - PCB contacted
- Reliable status detection
- Quick, easy installation

Application

The module is used to detect if the PCB is contacted.



Detection - contacted

FB-ABF-K-HMK-VAxxxx-2S

Item 3409



GO TO PRODUCT

ingun[®]

Partner for Future Technology

General data

Product group:	Functional units
Series:	FB-VAxxxx
Type:	Detection - contacted
Version:	Stroke sensor
Accessory type:	Additional function
Scope of delivery:	Switch incl. GKS-504-0021
Width:	22 mm [.866 in]
Height:	66.2 mm [2.6 in]
Weight:	0.02 kg [.044 lbs]
Min. temperature:	10 °C [50 °F]
Max. temperature:	60 °C [140 °F]
RoHS-compliant:	Yes

Compatible with

Vacuum test fixtures (VA): VA 20xx-2e

Technical data

Stroke:	11 mm [.433 in]
Connection:	Solder eyelet
Force:	3 N [10.7 ozf]
Max. current:	1 A
Installation:	M4
Max. voltage:	12 V
Number of poles:	3
Length:	30 mm [1.18 in]
Outer dimensionS (WxDxH):	22 x 30 x 66.2 mm [.866 x 1.18 x 2.6 in]

INGUN Prüfmittelbau GmbH

Max-Stromeyer-Straße 162
78467, Constance, Germany
Phone +49 7531 8105-0
Customer hotline +49 7531 8105-888
Fax +49 7531 8105-65
info@ingun.com



Prices and delivery times on request.
Technical changes reserved. 06/26_GB

Learn more about
Test fixture kits

