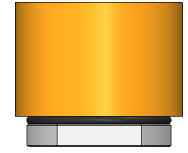
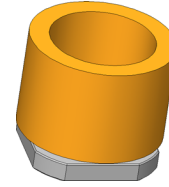




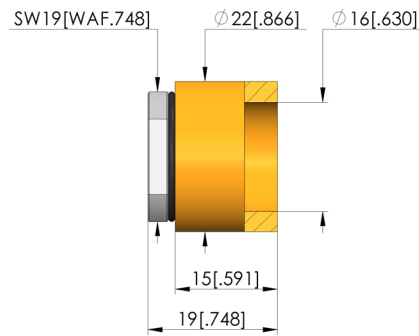
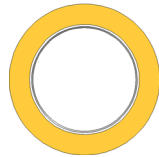
GO TO PRODUCT

- Reduction of high-frequency noise emissions of pneumatic board marker probes
- Reduction of noise emissions by approximately 7dB
- Incl. sealing ring and lock nut
- Quick, easy installation



Application

A silencer is available for the pneumatic board marker probes (ME-P-...). Using the silencer reduces high-frequency noise emissions by approx. 7 dB at a compressed air supply pressure of 0.6 MPa. It may be necessary to readjust the recommended working stroke by approx. 0.2 to 0.3 mm.



General data

Product group:	Pneumatic accessory
Series:	SD
Type:	Silencer
Version:	ME-P
Accessory type:	Customising accessories
Scope of delivery:	Must be installed upon delivery, installation
accessories included	
Height:	15 mm [.59 in]
Weight:	0.02 kg [.044 lbs]
Min. temperature:	10 °C [50 °F]
Max. temperature:	60 °C [140 °F]
RoHS-compliant:	Yes

Compatible with

Board marker probe (ME): ME-P-xx,x-xx-xxx-xxx

Technical data

Installation: Thread M16 x 1
 Diameter: 22 mm [.866 in]



- 1) Sinter bushing
- 2) O-ring
- 3) Lock nut

- Assembly example

Board marker probes

Part no.	Designation	Version
25241	ME-P-S2,0-16-054-QS4	Pneumatic board marker probe with cutting engraver
29483	ME-P-F1,0-16-054-QS4	Pneumatic board marker probe with milling engraver

INGUN Prüfmittelbau GmbH

Max-Stromeyer-Straße 162
 78467, Constance, Germany
 Phone +49 7531 8105-0
 Customer hotline +49 7531 8105-888
 Fax +49 7531 8105-65
 info@ingun.com

