

ESD discharge probe

FB-ALS-VAxxxx-2S

Item 17036



GO TO PRODUCT

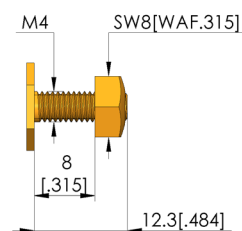
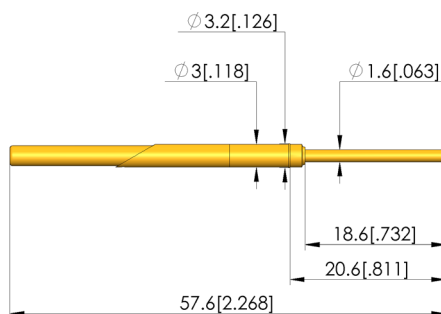
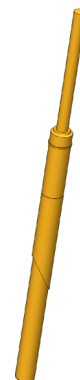
ingun®

Partner for Future Technology

- Reliable dissipation of electrostatic discharges that occur as a result of potential differences
- Quick, easy installation

Application

The ESD discharge contact is used for the reliable discharge of any electrostatic discharges that may occur as a result of potential differences. It is installed in the probe plate and the moving plate.



General data

Product group:
Series:
Type:
Version:
Accessory type:
Scope of delivery:
Component assembly:
Weight:
Min. temperature:
Max. temperature:
RoHS-compliant:

Functional units
FB-VAxxxx
ESD discharge contact
Dual-stage contacting
Customising accessories
Unassembled
GKS-114-0015
0.01 kg [0.022 lbs]
10 °C [50 °F]
60 °C [140 °F]
Yes

Compatible with

Vacuum test fixtures (VA):

VA 20xx

Technical data

Stroke: 16 mm [0.629 in]
Length: 57.6 mm [2.26 in]
Diameter: 3 mm [0.118 in]

INGUN Prüfmittelbau GmbH

Max-Stromeyer-Straße 162
78467, Constance, Germany
Phone +49 7531 8105-0
Customer hotline +49 7531 8105-888
Fax +49 7531 8105-65
info@ingun.com



Prices and delivery times on request.
Technical changes reserved. 06/26_GB

Learn more about
Test fixture kits

