

Connector - multipole male

FB-VGL-64-ATSMAXxx

Item 43135



GO TO PRODUCT

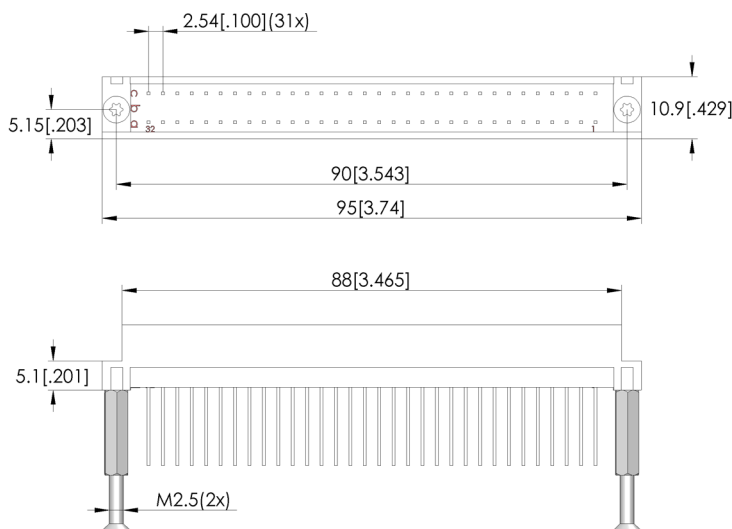
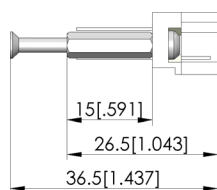
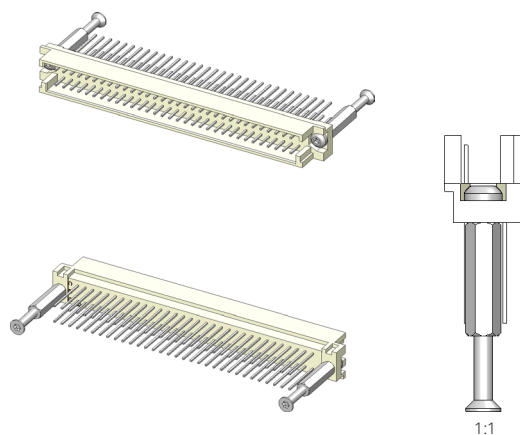
ingun[®]

Partner for Future Technology

- Trusted connector for multi-pole electric signal transmission
- Reliable connection and signal transmission
- Quick, easy, space-saving installation
- Inklusive Sechskantbolzen und Montageteile

Application

VG-Leisten werden als steckbare Verbinder zur mehrpoligen elektrischen Signalübertragung von Niederspannungen im Rahmen ihrer Spezifikation eingesetzt. Die Funktionsbaugruppe ist vorgesehen für manuelle Prüfadapter MA xxx, zur Anbindung der Leiterplattenkontaktierung an das Testsystem.



General data

Product group:
Series:
Type:
Version:
Accessory type:
Scope of delivery:
Component assembly:
Material:
Width:
Height:
Weight:
Min. temperature:
Max. temperature:
RoHS-compliant:

Functional units
FB-ATSMAXxx

C, straight with axial bore
Additional function
Incl. installation accessories
ac
Contacts, gold-plated
10.9 mm [.429 in]
26.5 mm [1.04 in]
0.01 kg [.022 lbs]
10 °C [50 °F]
60 °C [140 °F]
Yes

Compatible with

MA exchangeable kits (ATS MA):
Accessories:

ATS MAxxx

Technical data

Connection:
Current rating:
Installation:
Number of poles:
Installation grid:
Length:
Post length:
Outer dimensionS (WxDxH): 95 x 10.9 x 26.5 mm [3.74 x .429 x 1.04 in]

Wire-wrap posts
2 A
Screw, M2.5
64
2.54 mm [.1 in]
95 mm [3.74 in]
13 mm [.511 in]

Connector - multipole male FB-VGL-64-ATSMAXxx

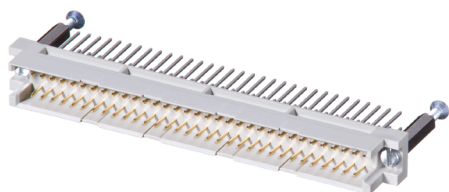
Item 43135



GO TO PRODUCT

ingun®

Partner for Future Technology



Test fixtures

| Part no. EN | Designation | Tip version EN |
|-------------|-------------|---------------------|
| 40600 | MA 260/F | Manual test fixture |
| 46100 | MA 350/F | Manual test fixture |
| 45650 | MA 360/F | Manual test fixture |

Exchangeable kits

| Part no. EN | Designation | Tip version EN |
|-------------|---------------|------------------|
| 41220-KIT | ATS MA260 | Exchangeable kit |
| 41225-KIT | ATS MA260/ESD | Exchangeable kit |
| 46480-KIT | ATS MA350 | Exchangeable kit |
| 46490-KIT | ATS MA350/ESD | Exchangeable kit |
| 45669-KIT | ATS MA360 | Exchangeable kit |
| 46200-KIT | ATS MA360/ESD | Exchangeable kit |

INGUN Prüfmittelbau GmbH

Max-Stromeyer-Straße 162
78467, Constance, Germany
Phone +49 7531 8105-0
Customer hotline +49 7531 8105-888
Fax +49 7531 8105-65
info@ingun.com



Prices and delivery times on request.
Technical changes reserved. 06/26_GB

Learn more about
MA functional units



FUNCTIONAL UNIT

ingun.com