

# Spare part kit, install acc ETK-MTZ-WS-KS-i3070-5i

Item 105120

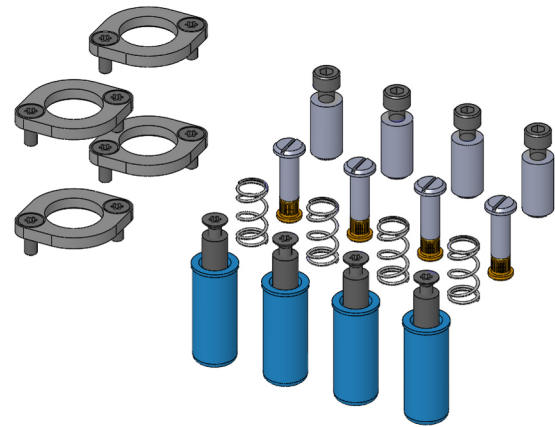


GO TO PRODUCT

**ingun**<sup>®</sup>

Partner for Future Technology

- Available for each component as kit or individual part including assembly drawing for easy replacement and safe installation
- Quick, easy maintenance
- Easy replacement by operators on site



## General data

Product group:

Series:

Type:

Version:

Accessory type:

Scope of delivery:

Material:

RoHS-compliant:

Spare part kits

ETK-WS-KS

Set

Assembly accessories

Spare parts

Unassembled

1.0718

Yes

## Compatible with

Exchangeable kits version:

Interchangeable kits (WS):

No limitations

## INGUN Prüfmittelbau GmbH

Max-Stromeyer-Straße 162

78467, Constance, Germany

Phone +49 7531 8105-0

Customer hotline +49 7531 8105-888

Fax +49 7531 8105-65

info@ingun.com



Prices and delivery times on request.  
Technical changes reserved. 06/26\_GB

Learn more about  
Inline interchangeable kit

