

Extraction device ASV-ME-P-WK-EC

Artículo 36792



DIRECTAMENTE AL PRODUCTO

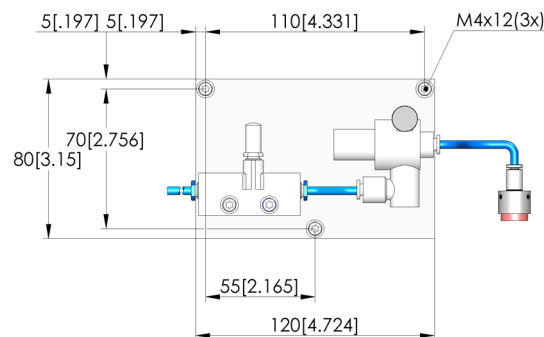
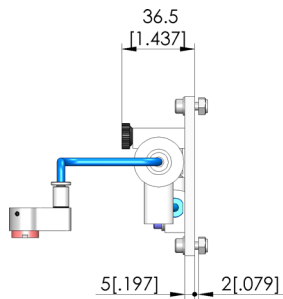
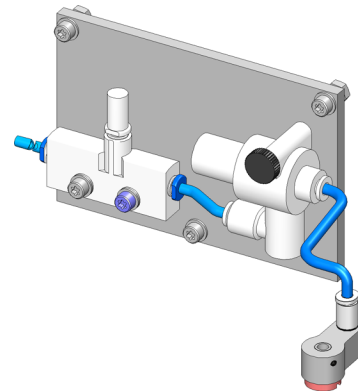
ingun[®]

Partner for Future Technology

- Suction device for electric board marker probe (ME)
- Suction to remove shavings caused by the marking process
- Removeable collection container (no tools required)
- Montaje rápido y sencillo

Utilización

The suction device minimises unwanted contamination caused by the marking process. The shavings produced are extracted pneumatically using the trusted Venturi principle by means of a vacuum suction nozzle, fed through an extraction head to a collection container with a filter insert, and collected there. The collection container can be detached without tools and emptied with minimal effort.



Datos generales

Grupo de productos:
Serie:
Tipo:
Modelo:
Tipo de accesorios:
Estado de entrega:
Ancho:
Altura:
Peso:
Temperatura mín.:
Temperatura máx.:
Conforme RoHS:

Accesorios neumáticos
ASV
Dispositivo aspirador
ME-P
Función adicional
Premontada
37 mm
80 mm
0,24 kg
10 °C
60 °C
Sí

Compatible con

Unidades de marcado (ME):

ME-P-xx,x-xx-xxx-xxx

Datos técnicos

Montaje:
Conexión de aire comprimido:
Cabezal de aspiración (AnxPxAl):
Longitud:
Dimensiones exteriores (AnxPxAl):

Rosca M4
QS-4
16 x 31 x 28 mm
120 mm
120 x 37 x 80 mm

Extraction device ASV-ME-P-WK-EC

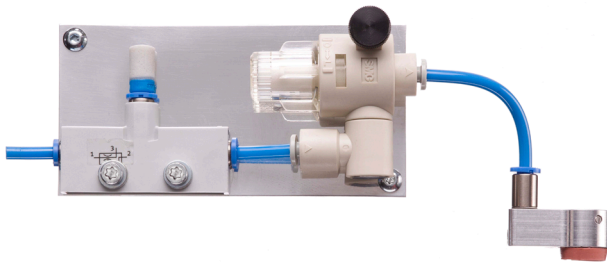
Artículo 36792



DIRECTAMENTE AL PRODUCTO

ingun[®]

Partner for Future Technology



Board marker probes

Part no.	Designation	Version
25241	ME-P-S2,0-16-054-QS4	Pneumatic board marker probe with cutting engraver
29483	ME-P-F1,0-16-054-QS4	Pneumatic board marker probe with milling engraver

INGUN Prüfmittelbau GmbH

Max-Stromeyer-Straße 162
78467, Constance, Germany
Phone +49 7531 8105-0
Customer hotline +49 7531 8105-888
Fax +49 7531 8105-65
info@ingun.com

