

# Locking unit - closed

## FB-VER-G-ESO-MAxxxx

Item 36065



GO TO PRODUCT

**ingun**<sup>®</sup>

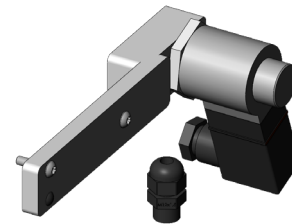
Partner for Future Technology

- Secure locking of closed pressure frame during contacting

### Application

To lock the closed pressure frame during contacting to ensure tests are not interrupted.

**INGUN SELECTION**



### General data

Product group:	Locking units
Series:	FB-MAxxxx
Type:	Locking unit for pressure frame unit (NDH) - closed
Version:	Electrical circuit open (NC)
Accessory type:	Additional function
Scope of delivery:	Must be installed upon delivery
Width:	70 mm [2.75 in]
Height:	80 mm [3.14 in]
Weight:	0.3 kg [.661 lbs]
Min. temperature:	10 °C [50 °F]
Max. temperature:	60 °C [140 °F]
RoHS-compliant:	Yes

### Compatible with

Manual test fixtures (MA):	MA xxxx
Accessories:	ATE VAxxxx

### Technical data

Stroke:	6 mm [.236 in]
Installation:	Thread M4
Max. voltage:	24 VDC (8 W)
Length:	153 mm [6.02 in]
Outer dimensionS (WxDxH):	70 x 153 x 80 mm [2.75 x 6.02 x 3.14 in]

FUNCTIONAL UNIT

# Locking unit - closed

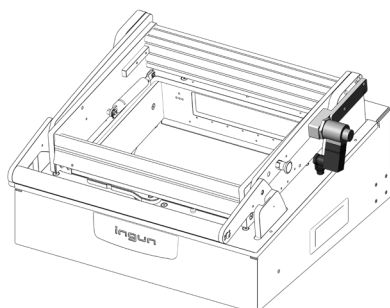
## FB-VER-G-ESO-MAxxxx

Item 36065



**ingun**<sup>®</sup>

Partner for Future Technology



### INGUN Prüfmittelbau GmbH

Max-Stromeyer-Straße 162  
78467, Constance, Germany  
Phone +49 7531 8105-0  
Customer hotline +49 7531 8105-888  
Fax +49 7531 8105-65  
info@ingun.com



Prices and delivery times on request.  
Technical changes reserved. 06/26\_GB

Learn more about  
MA functional units



[ingun.com](http://ingun.com)

FUNCTIONAL UNIT