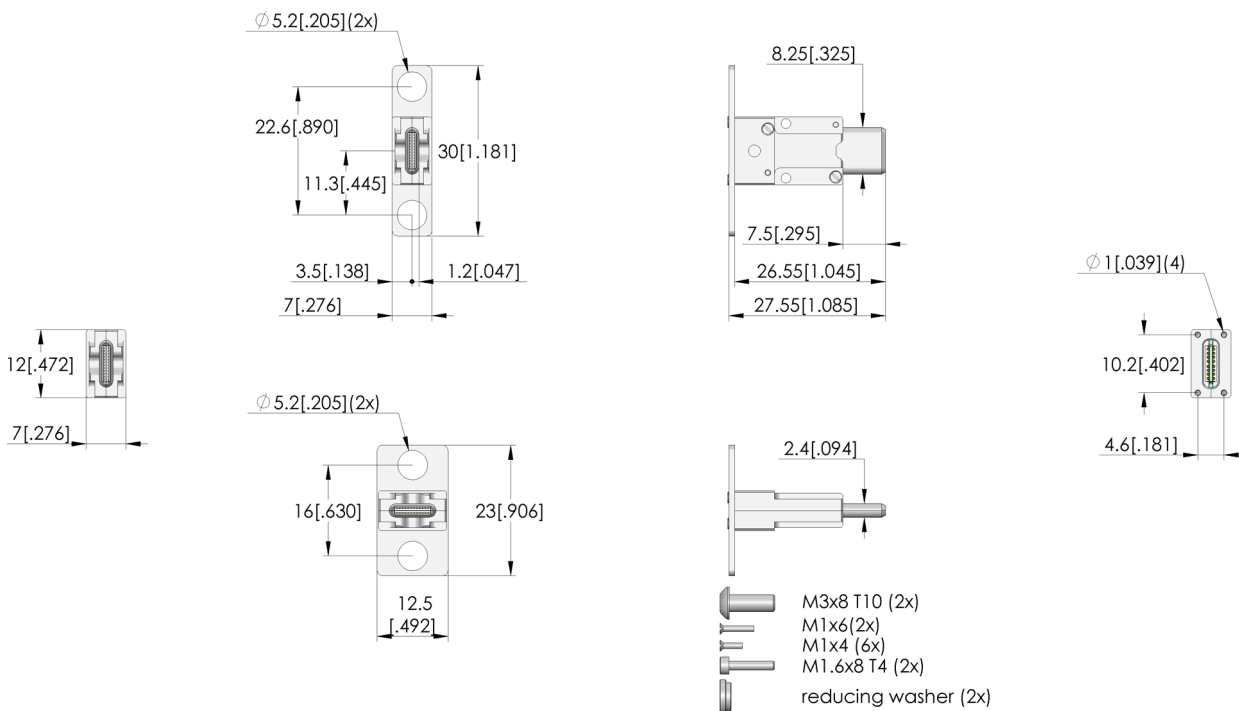
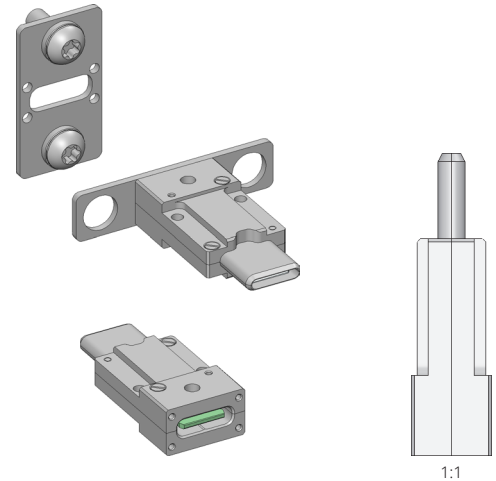




- Larger lead-in chamfers, up to 0.4 mm tolerance compensation
- One of the smallest test plugs for USB3.1C for the most compact applications, also suitable for USB3.1C automotive
- Outstanding service life: over 50,000 mating cycles (under laboratory conditions) depending on the version
- Precise, low-wear contacting of USB plug connectors
- Reliable data transmission
- Optional spring elements (112863: set of 2x5 N) can compensate for tolerances of  $\pm 0.4$  mm and positioning inaccuracies.
- Interface: Signal transmission to the test system via original USB3.1C connector plug

### INGUN SELECTION



### General data

Product group:	PS test plug
Series:	PS
Sub-series:	PS-USB
Grid:	8 mm [314 mil]
DUT / contact:	USB3.1-C
DUT interface gender :	F signal conductor female / socket
Continuous plunger:	No
Interface of compatible assembly:	USB 3.1-C
Compatible assembly interface gender :	F signal conductor female / socket
Width:	30 mm [1.18 in]
Height:	7 mm [.275 in]
Min. temperature:	-20 °C [-4 °F]
Max. temperature:	75 °C [167 °F]
RoHS-compliant:	Yes

### Inner conductor data

Exchangeable inner conductor:	No
Inner conductor max. current load capacity:	3 A
Number of inner conductor poles:	24

### Electrical data

Impedance:	90 Ohm
Max. data rate:	10 Gbit/s
Maximum performance:	15 W

### Mechanical data

Total length:	27.5 mm [1.08 in]
Installation height without receptacle:	26.5 mm [1.04 in]

Test plug

**PS-USB3.1C-M-024-G5-B-02**

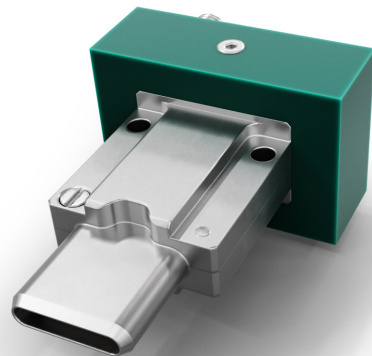
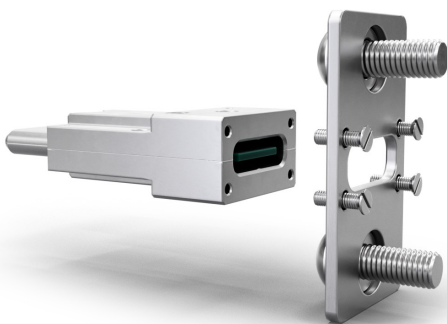
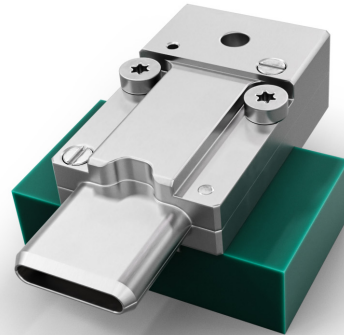
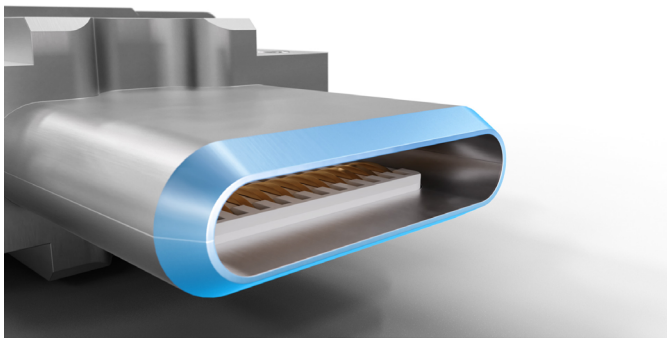
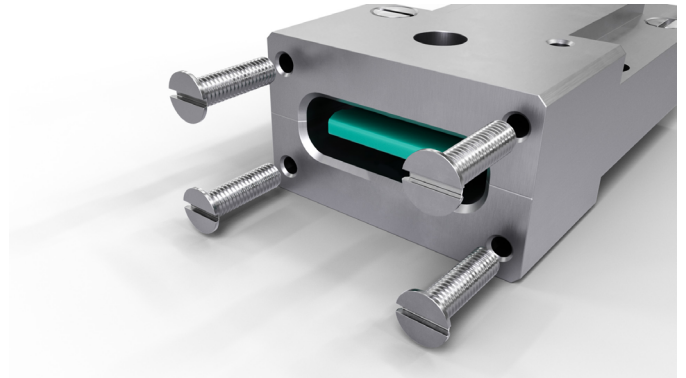
Item 116066



GO TO PRODUCT

**ingun**<sup>®</sup>

Partner for Future Technology



Test plug

**PS-USB3.1C-M-024-G5-B-02**

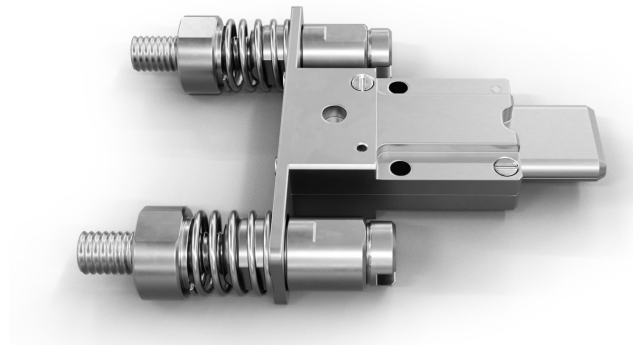
Item 116066



GO TO PRODUCT

**ingun**<sup>®</sup>

Partner for Future Technology



**INGUN Prüfmittelbau GmbH**

Max-Stromeyer-Straße 162  
78467, Constance, Germany  
Phone +49 7531 8105-0  
Customer hotline +49 7531 8105-888  
Fax +49 7531 8105-65  
info@ingun.com



Prices and delivery times on request.  
Technical changes reserved. 06/26\_GB

Learn more about  
**Test probes**

